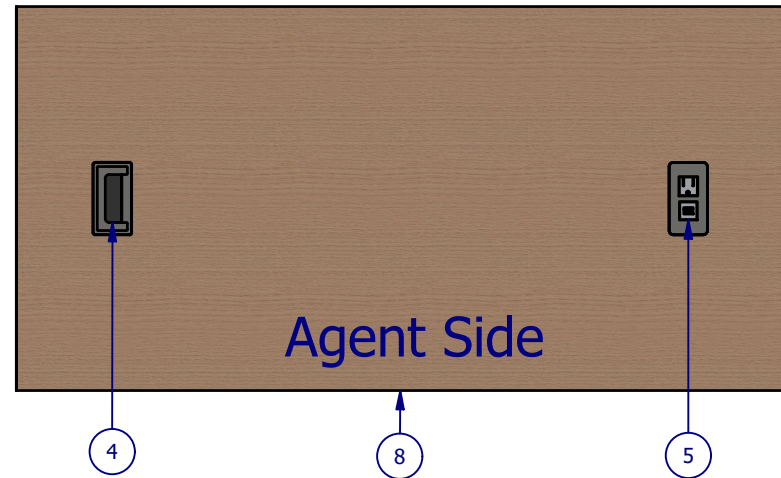
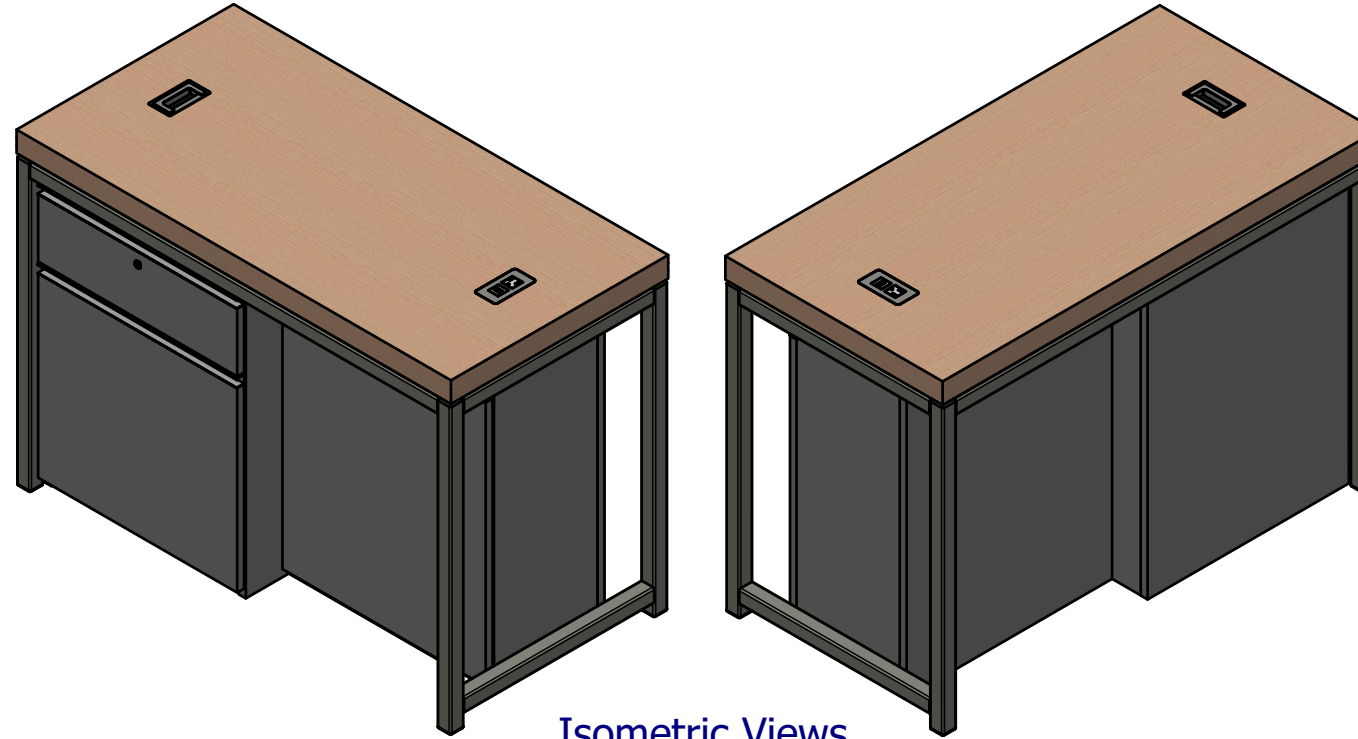


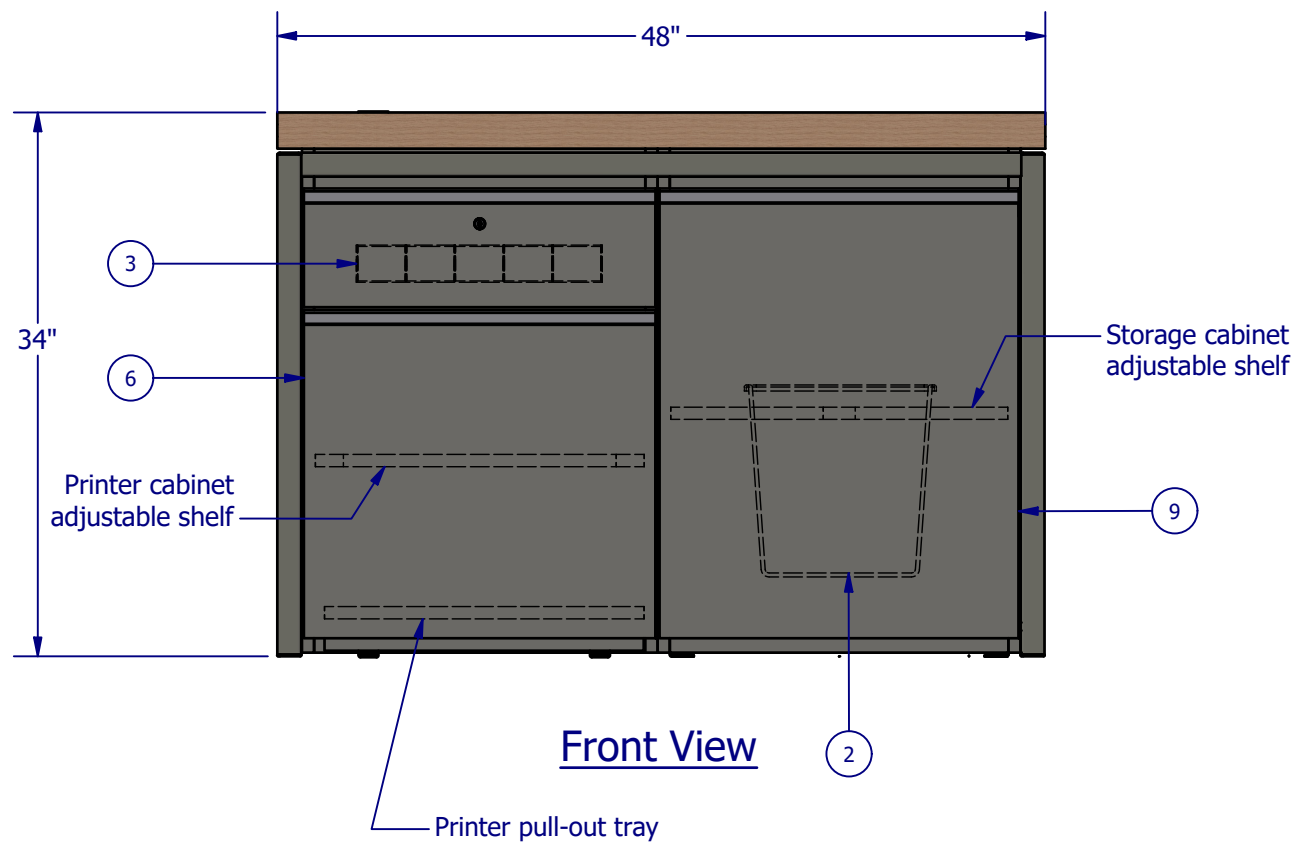
ITEM	QTY	DESCRIPTION
1	4	1.5 In Square Poly Cap
2	1	3 Gallon Trash Can
3	1	APG Cash Drawer Till Assembly
4	1	POS Counter Grommet
5	1	Power Tap BE01536-1-1SMC2-WT
6	1	Printer Cabinet Assembly
7	1	Sales Floor Cabinet POS Frame
8	1	Sales Floor POS Top
9	1	Storage Cabinet Assembly



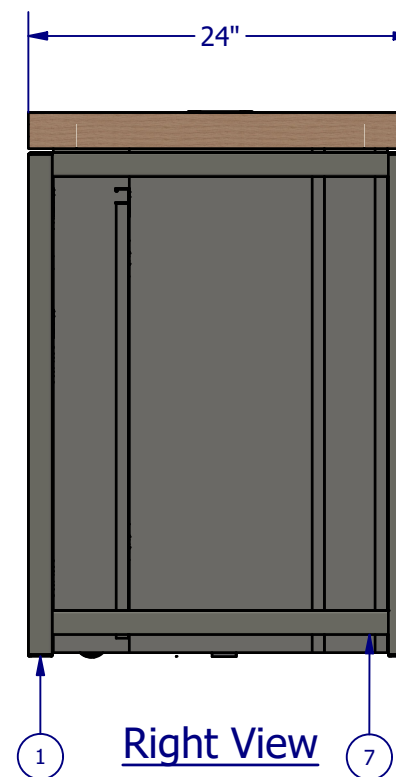
Top View



Isometric Views



Front View



Right View

- Hardware Kit:**
- (2) 1/2" x 1-1/2" Lag Screw
 - (2) .375 x 3" Concrete Anchor
 - (2) 1/2" Flat Washer
 - (2) 1/2" Hex Nut



585 Western Blvd.
Turtle Lake, WI 54889
InfinityRetailServices.com

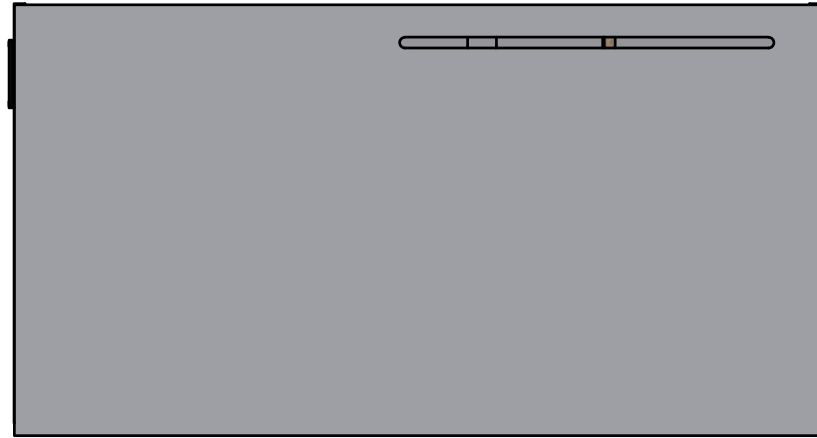
Part Name: Sales Floor POS

Part No: 1325

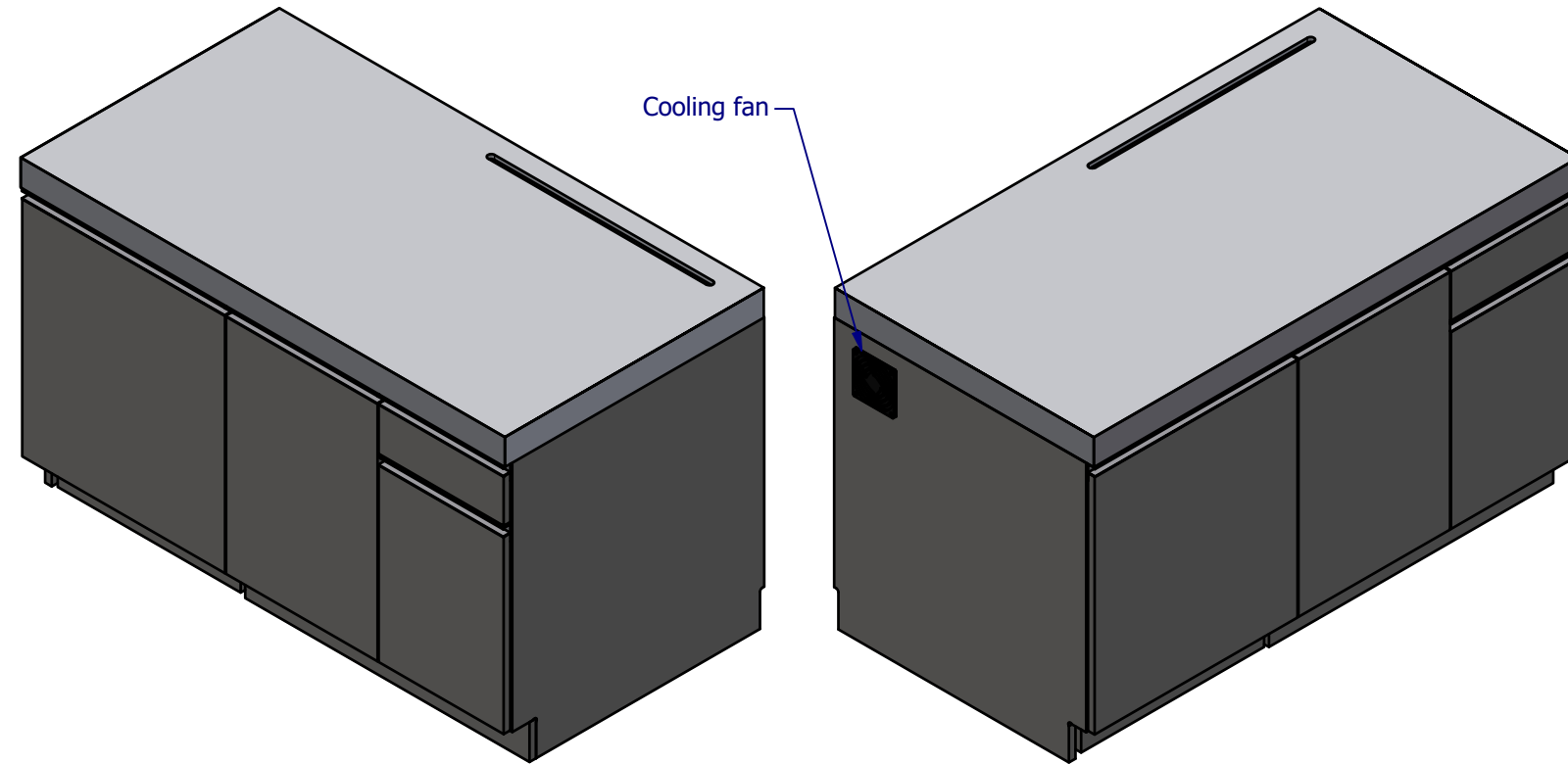
Drawn By: Ryan Date: 6/20/2024

Sheet:
1 OF 1

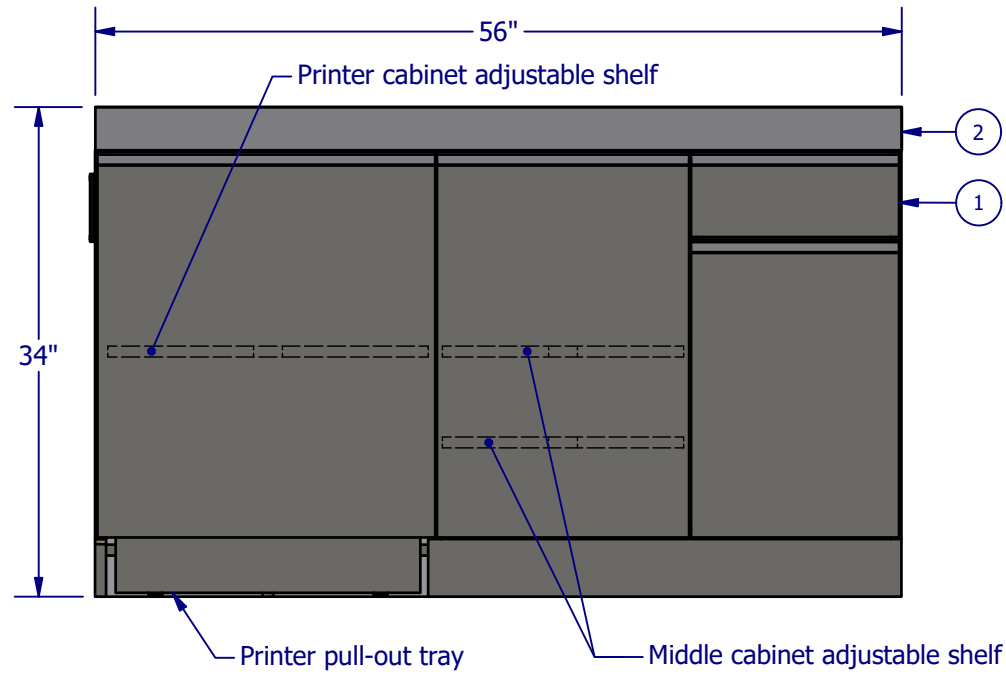
ITEM	QTY	DESCRIPTION
1	1	Rear POS Cabinet
2	1	Corian Top



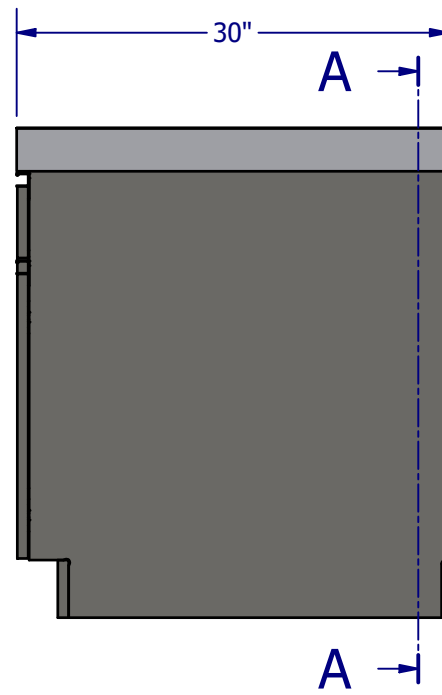
Top View



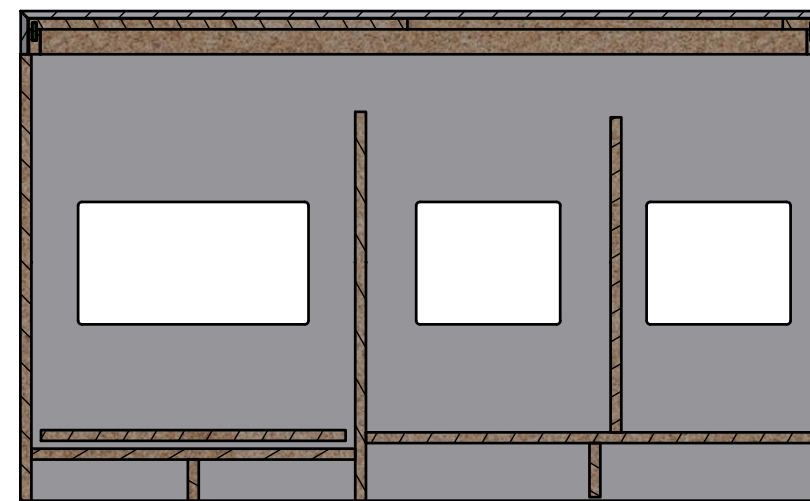
Isometric Views



Front View



Right View



A-A (.075:1)

INFINITY
RETAIL SERVICES

585 Western Blvd.
Turtle Lake, WI 54889
InfinityRetailServices.com

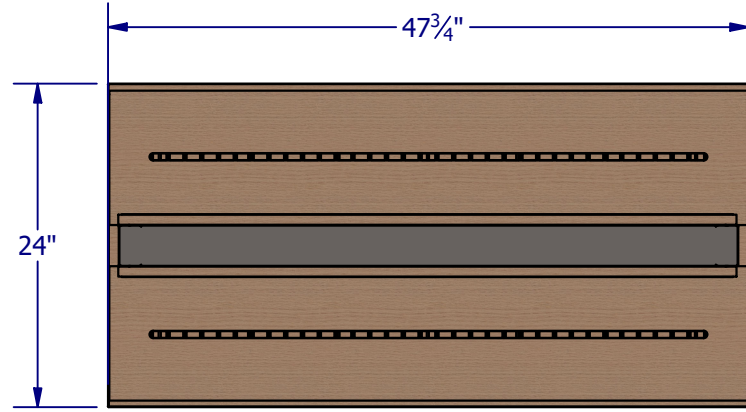
Part Name: Rear POS

Part No: 1327

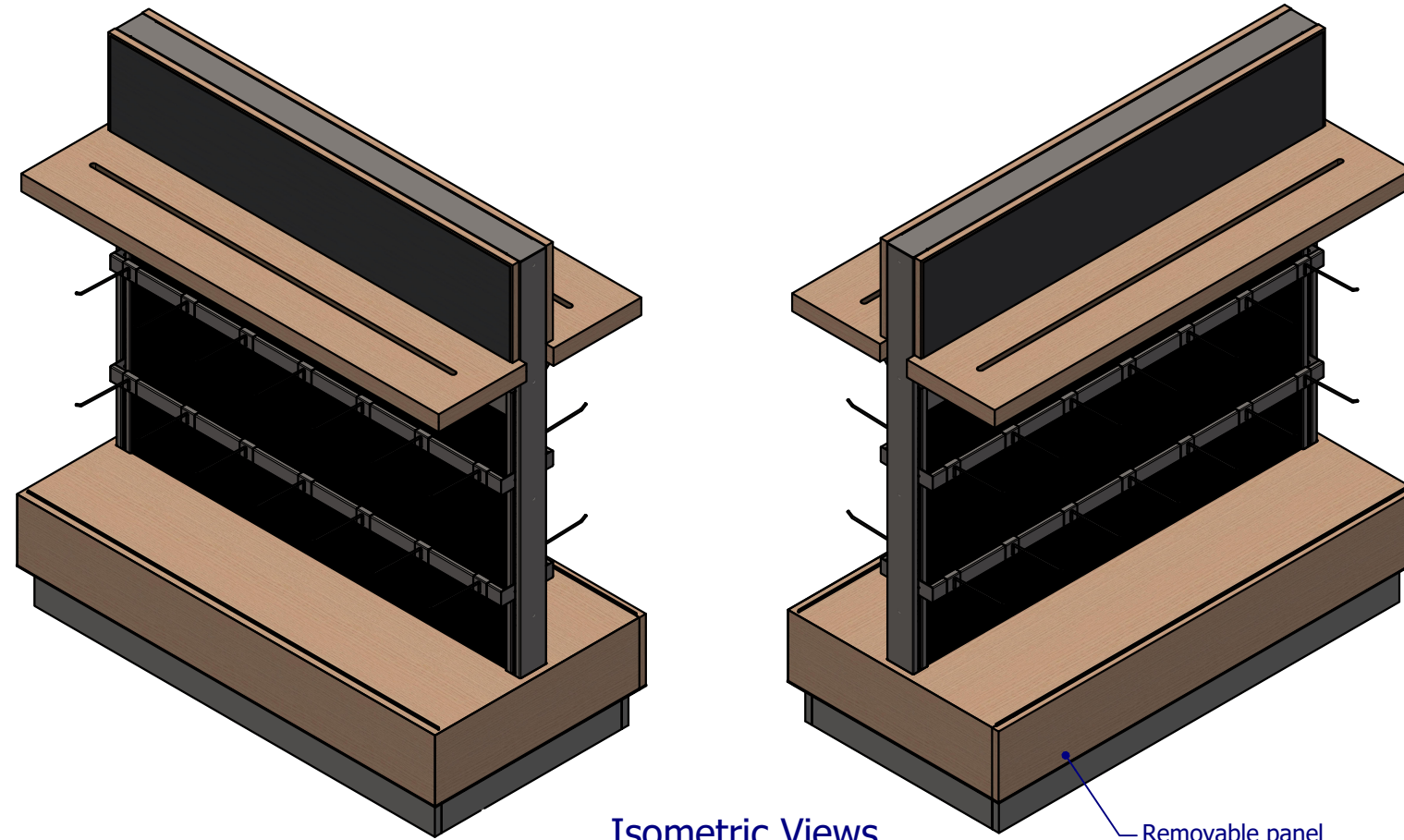
Drawn By: Josh Date: 6/20/2024

Sheet: 1 OF 1

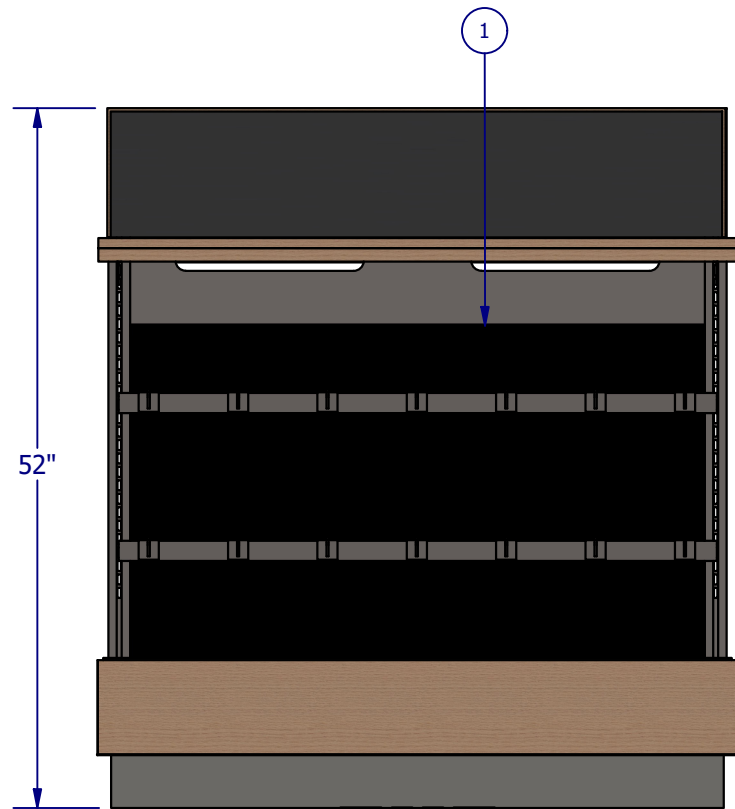
ITEM	QTY	DESCRIPTION
1	2	Middle Black Panel
2	2	Upper Magnet Panel
3	2	Aisle Fixture Top Shelf
4	6	NG Aisle/Spotlight Shelf Knife Bracket
5	4	48" Hook Towel Bar
6	28	6" Hangbar Saddle Hook
7	1	Frame Assembly



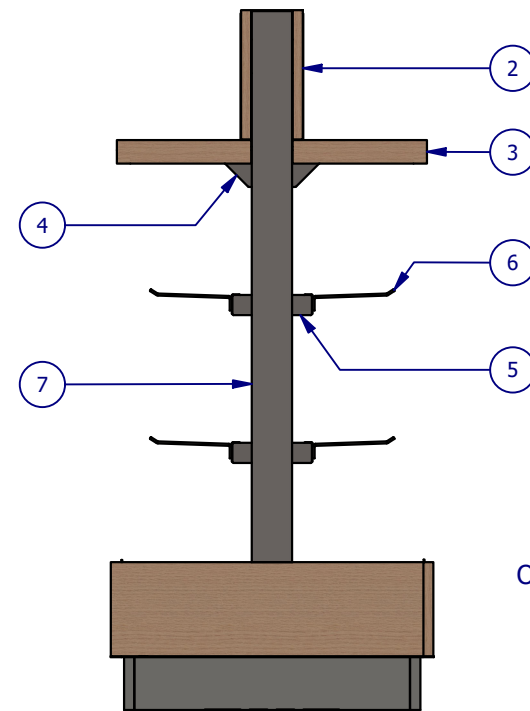
Top View



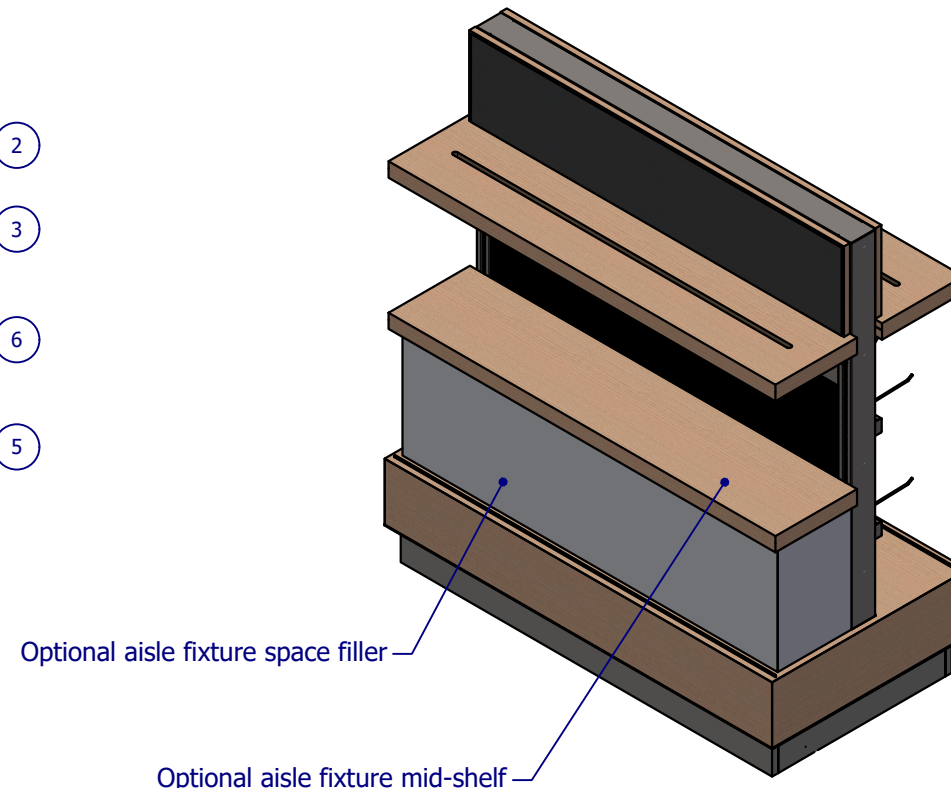
Isometric Views



Front View



Front View



Aisle fixture options

Hardware Kit:
 (2) 1/2" x 1-1/2" Lag Screw
 (2) .375 x 3" Concrete Anchor
 (2) 1/2" Flat Washer
 (2) 1/2" Hex Nut



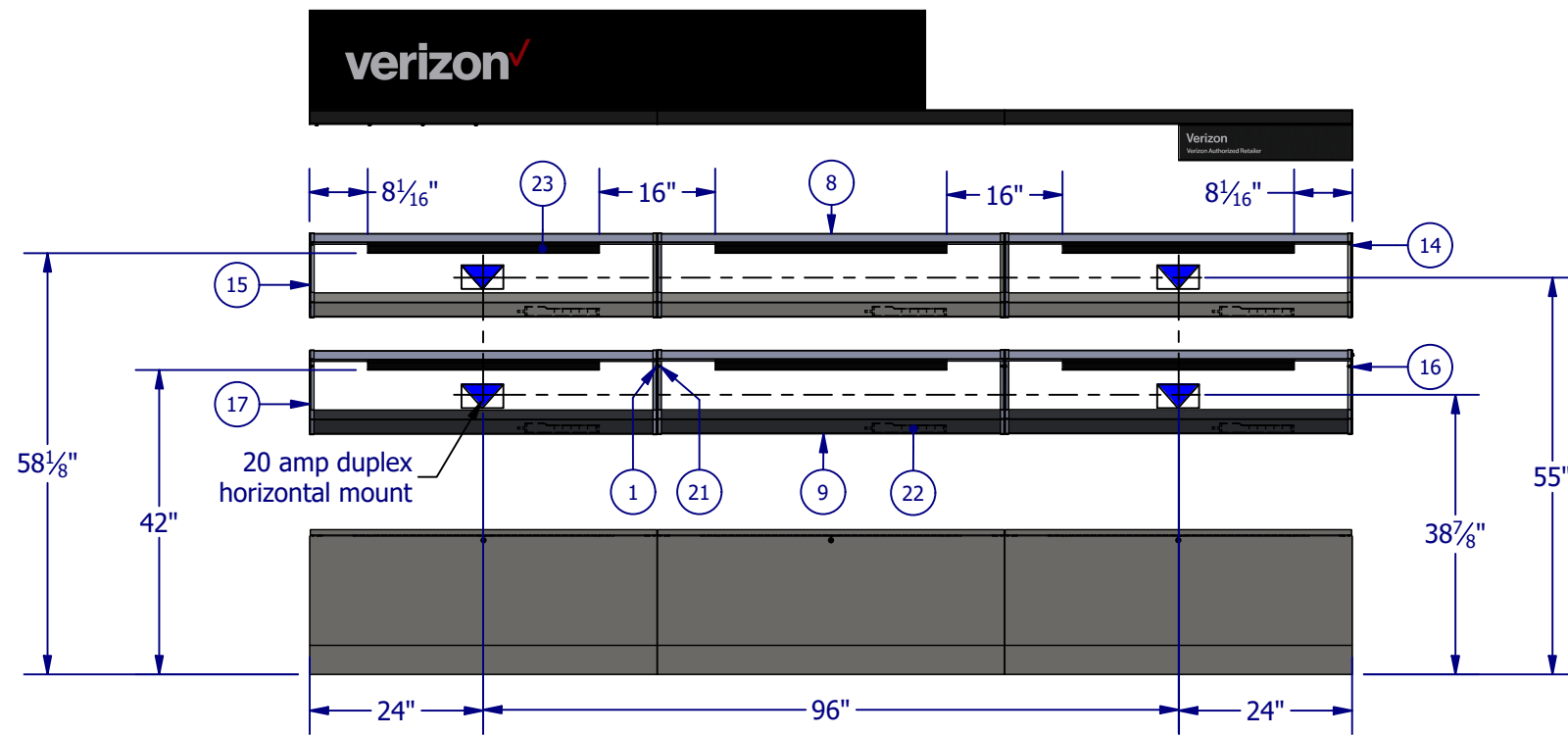
585 Western Blvd.
 Turtle Lake, WI 54889
 InfinityRetailServices.com

Part Name:	Aisle Fixture
Part No:	1328

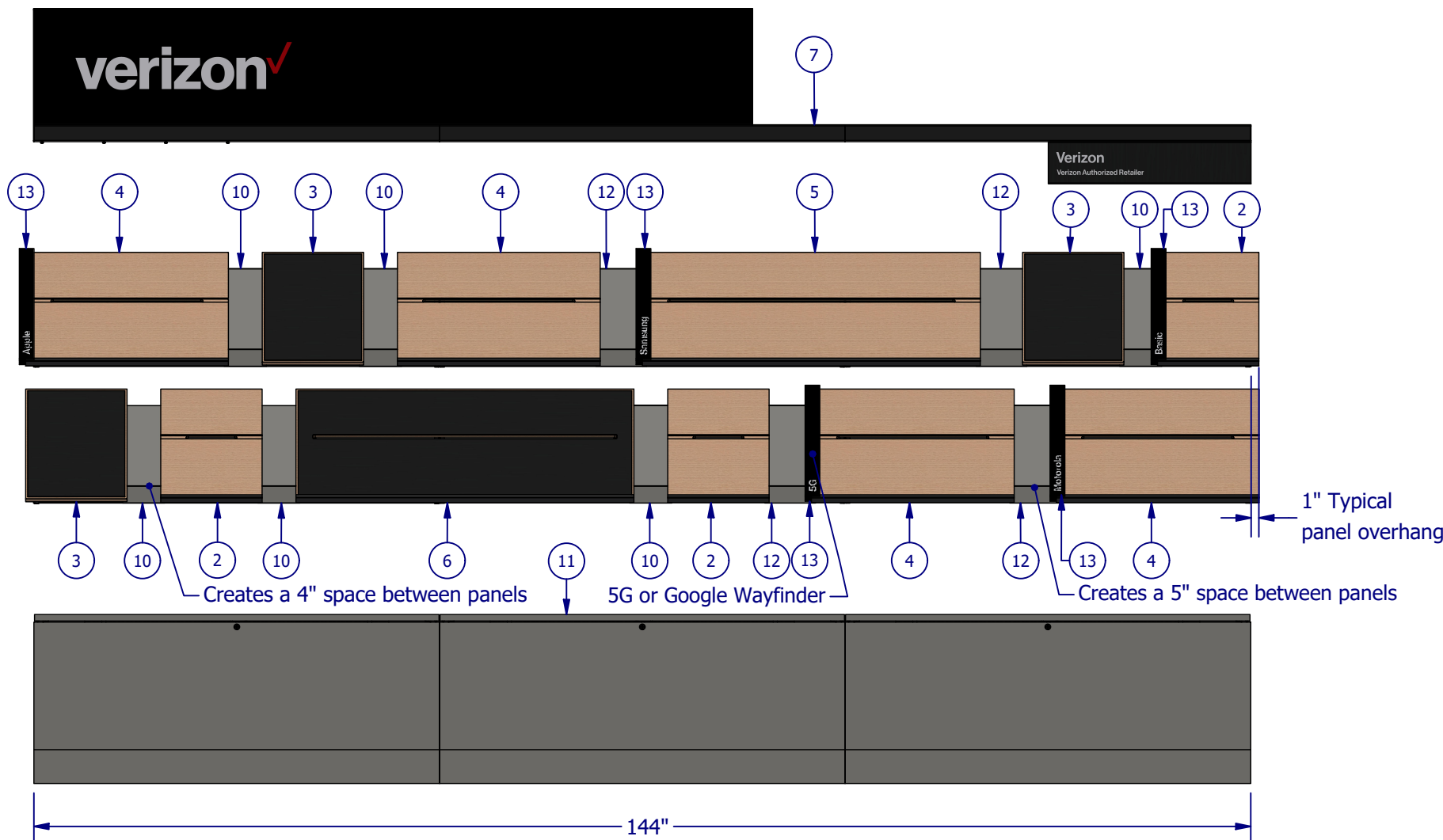
Drawn By:	Josh	Date:	6/20/2024
Sheet:		1 OF 1	

3-Bay Device Rack		
ITEM	QTY	DESCRIPTION
1	16	10-24 x .38 In Round Head ZP**
2	3	12" Slotted Device Rack Panel
3	3	12" Device Rack Magnet Panel
4	4	24" Slotted Device Rack Panel
5	1	40" Slotted Device Rack Panel
6	1	40" Slotted Magnetic Device Rack Panel
7	3	Ticker Shelf (1 Bay / 48")
8	3	Device Rack Upper Metal Cabinet
9	3	Device Rack Lower Metal Cabinet
10	6	Device Rack Filler Panel 5 In
11	3	Device Rack Cabinet
12	4	Device Rack Filler Panel 6 In
13	5	Device Rack Wayfinder
14	1	DR Upper Metal Cap Right**
15	1	DR Upper Metal Cap Left**
16	1	DR Lower Metal Cap Right**
17	1	DR Lower Metal Cap Left**
18	1	Ticker Monitor Backer
19	50	#8 x 2 In Pan Head SM Screw ZP**
20	25	#8 x 1.25 In Flat Head Particle Board Screw**
21	25	10-24 Wing Nut ZP**
22	6	Belkin Power Strip
23	6	1.875 In x .1875 Z-Clip Aluminum

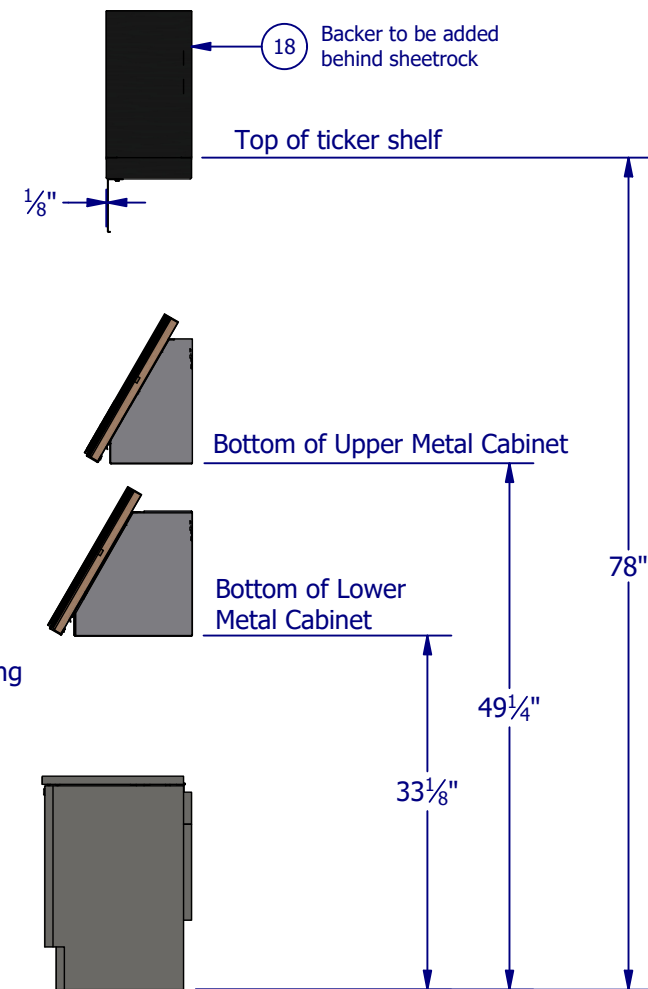
**Device Rack and Base Cabinet Hardware Kit



Front View with panels removed



Front View



Right View

- Ticker Kit:**
- (1) Ticker Monitor
 - (1) Ticker Wall Mounting Bracket
 - (1) Bright Sign Player
 - (1) 3 Outlet/2 USB Port Surge Protector
 - (1) HDMI Cable
 - (1) 10' CAT 6 Cable
 - (4) Double Sided Tape Strips
 - (10) Zip Ties



585 Western Blvd.
Turtle Lake, WI 54889
InfinityRetailServices.com

Part Name: 3-Bay Device Rack

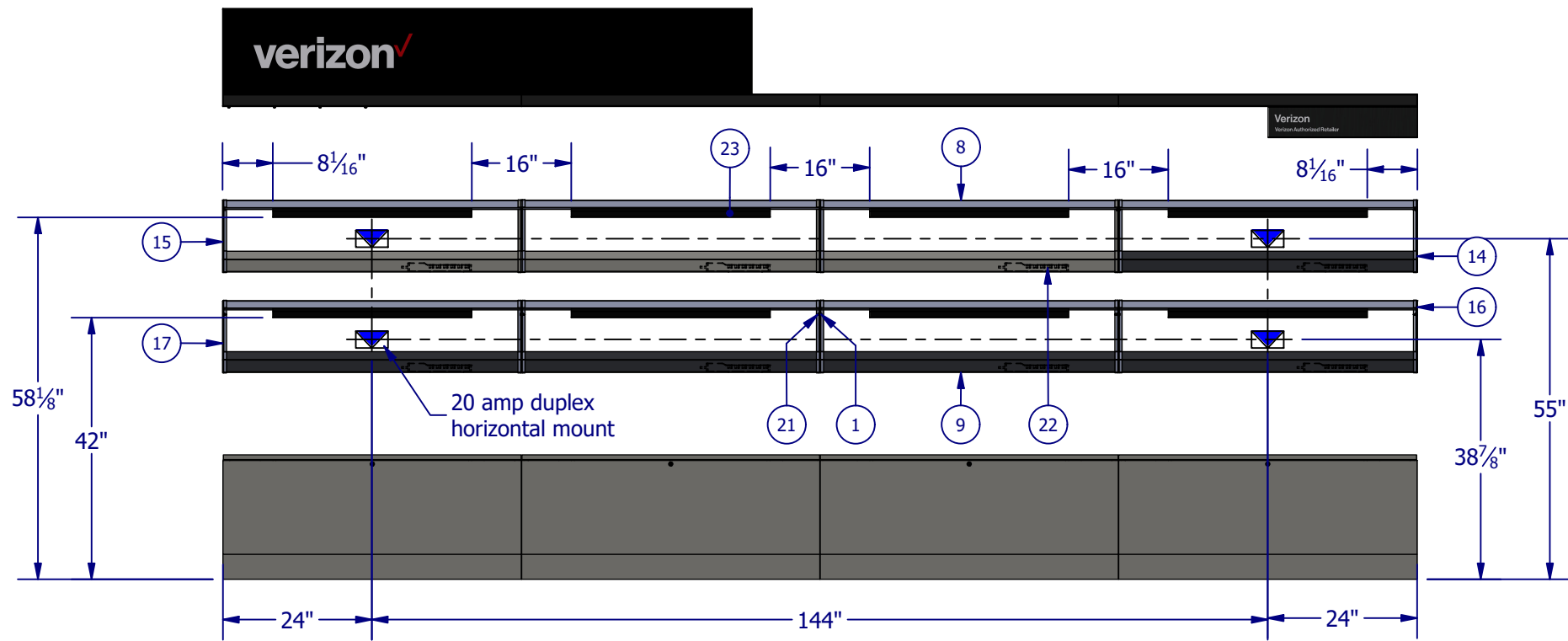
Part No: 1376

Drawn By: Josh Date: 6/20/2024

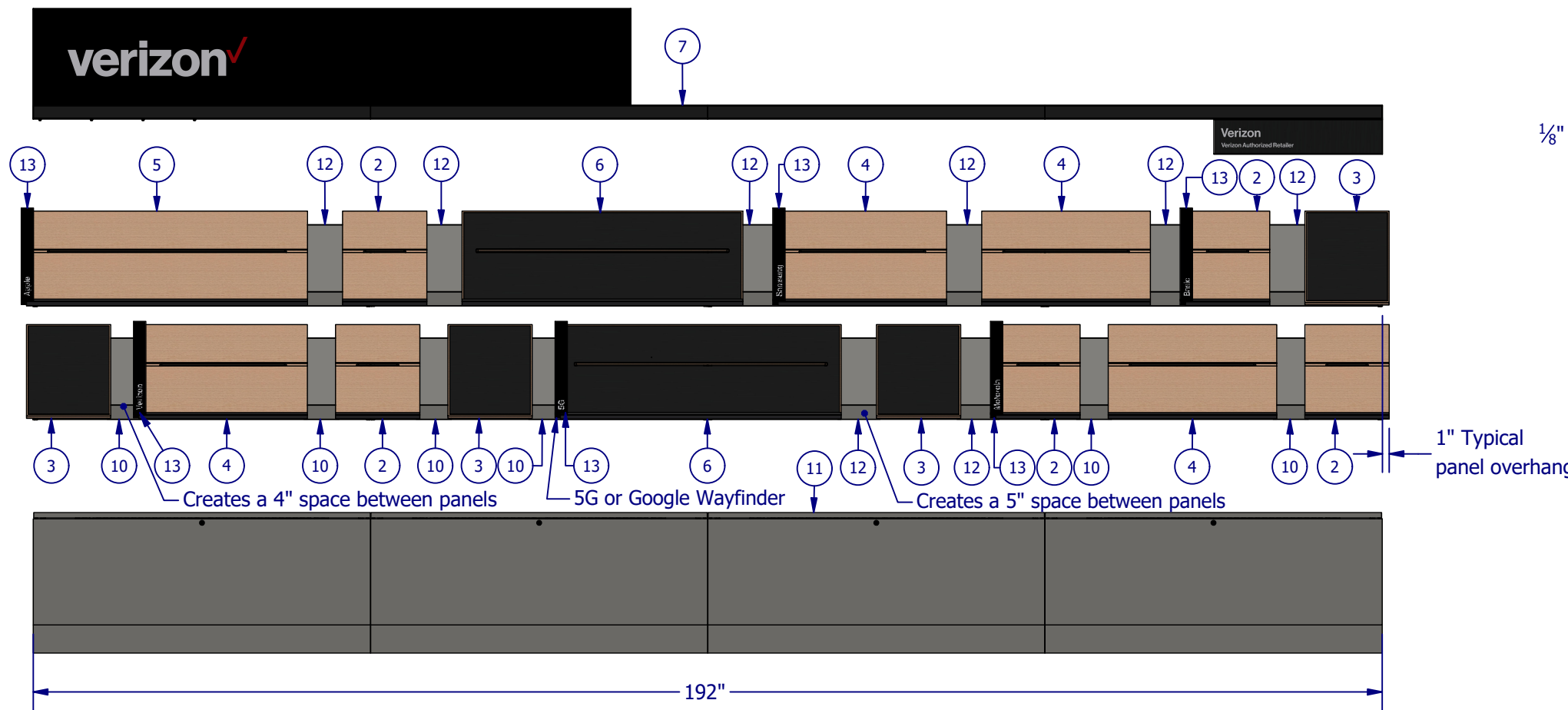
Sheet: 1 OF 1

3-Bay Device Rack		
ITEM	QTY	DESCRIPTION
1	16	10-24 x .38 In Round Head ZP**
2	5	12" Slotted Device Rack Panel
3	4	12" Device Rack Magnet Panel
4	4	24" Slotted Device Rack Panel
5	1	40" Slotted Device Rack Panel
6	2	40" Slotted Magnetic Device Rack Panel
7	4	Ticker Shelf (1 Bay/48")
8	4	Device Rack Upper Metal Cabinet
9	4	Device Rack Lower Metal Cabinet
10	6	Device Rack Filler Panel 5 In
11	4	Device Rack Cabinet
12	9	Device Rack Filler Panel 6 In
13	6	Device Rack Wayfinder
14	1	DR Upper Metal Cap Right**
15	1	DR Upper Metal Cap Left**
16	1	DR Lower Metal Cap Right**
17	1	DR Lower Metal Cap Left**
18	1	Ticker Monitor Backer
19	50	#8 x 2 In Pan Head SM Screw ZP**
20	25	#8 x 1.25 In Flat Head Particle Board Screw**
21	25	10-24 Wing Nut ZP**
22	8	Belkin Power Strip
23	8	1.875 In x .1875 Z-Clip Aluminum

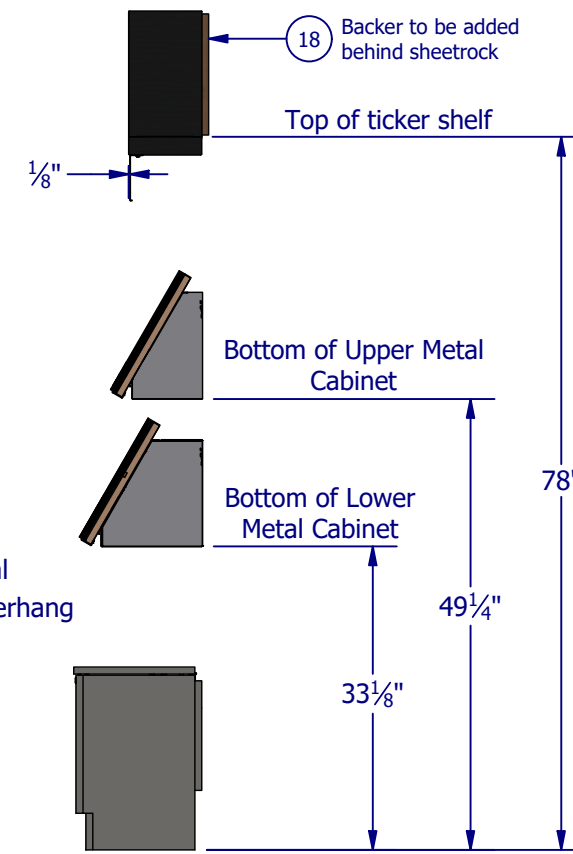
**Device Rack and Base Cabinet Hardware Kit



Front View with panels removed



Front View



Right View

- Ticker Kit:**
- (1) Ticker Monitor
 - (1) Ticker Wall Mounting Bracket
 - (1) Bright Sign Player
 - (1) 3 Outlet/2 USB Port Surge Protector
 - (1) HDMI Cable
 - (1) 10' CAT 6 Cable
 - (4) Double Sided Tape Strips
 - (10) Zip Ties

INFINITY
RETAIL SERVICES

585 Western Blvd.
Turtle Lake, WI 54889
InfinityRetailServices.com

Part Name: 4-Bay Device Rack

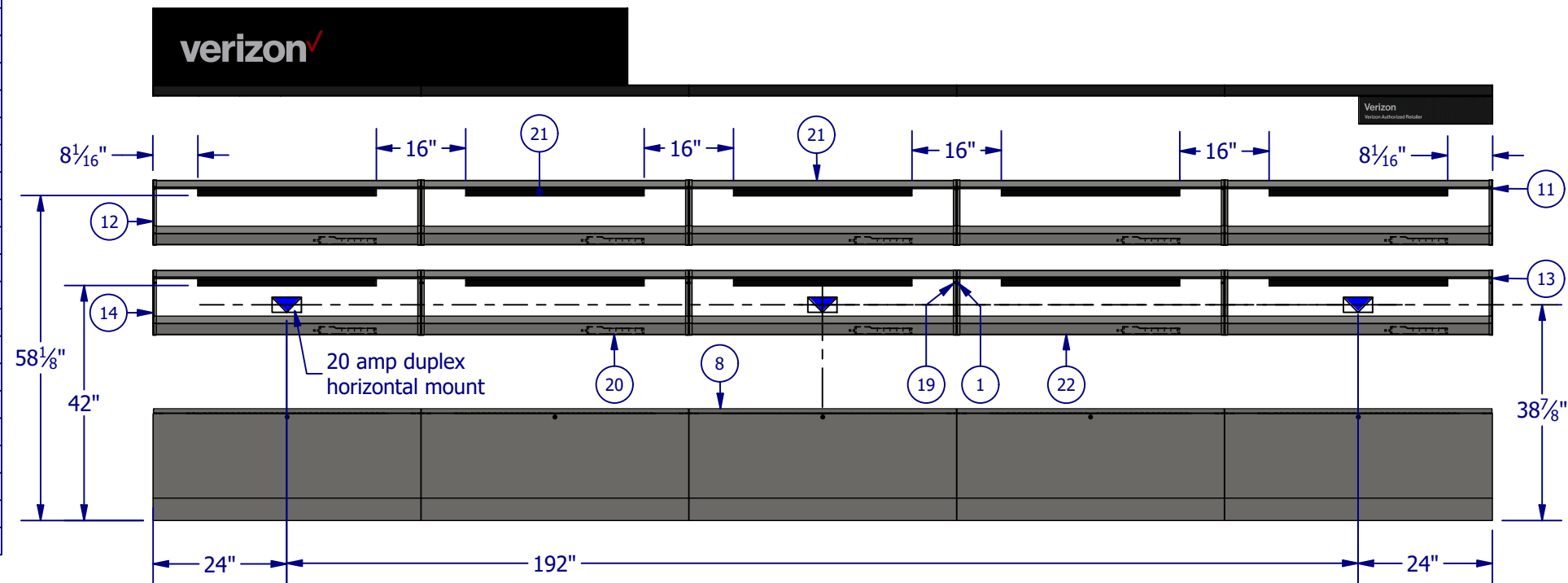
Part No: 1377

Drawn By: Josh Date: 6/20/2024

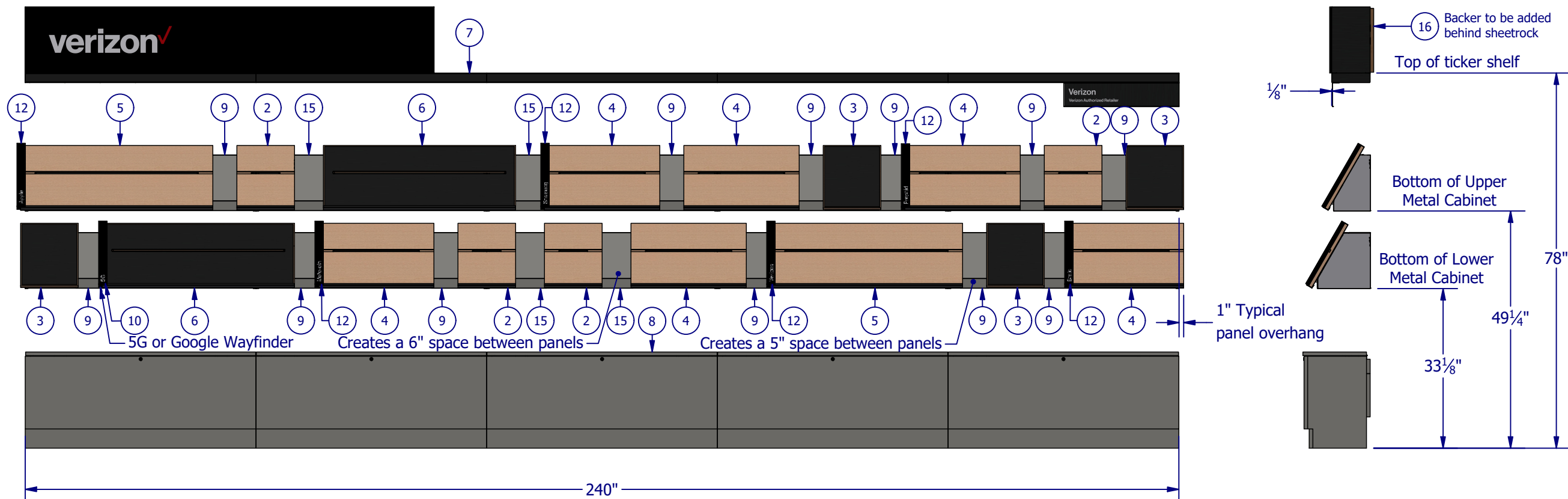
Sheet: 1 OF 1

3-Bay Device Rack		
ITEM	QTY	DESCRIPTION
1	16	10-24 x .38 In Round Head ZP**
2	4	12" Slotted Device Rack Panel
3	4	12" Device Rack Magnet Panel
4	6	24" Slotted Device Rack Panel
5	2	40" Slotted Device Rack Panel
6	2	40" Slotted Magnetic Device Rack Panel
7	5	Ticker Shelf (1 Bay/48")
8	5	Device Rack Cabinet
9	12	Device Rack Filler Panel 6 In
10	7	Device Rack Wayfinder
11	1	DR Upper Metal Cap Right**
12	1	DR Upper Metal Cap Left**
13	1	DR Lower Metal Cap Right**
14	1	DR Lower Metal Cap Left**
15	4	Device Rack Filler Panel 7 In
16	1	Ticker Monitor Backer
17	2	#8 x 2 In Pan Head SM Screw ZP**
18	1	#8 x 1.25 In Flat Head Particle Board Screw**
19	25	10-24 Wing Nut ZP**
20	10	Belkin Power Strip
21	10	1.875 In x .1875 Z-Clip Aluminum
21	5	Device Rack Upper Metal Cabinet
22	5	Device Rack Lower Metal Cabinet

**Device Rack and Base Cabinet Hardware Kit



Front View with panels removed



Front View

Right View

- Ticker Kit:**
- (1) Ticker Monitor
 - (1) Ticker Wall Mounting Bracket
 - (1) Bright Sign Player
 - (1) 3 Outlet/2 USB Port Surge Protector
 - (1) HDMI Cable
 - (1) 10' CAT 6 Cable
 - (4) Double Sided Tape Strips
 - (10) Zip Ties



585 Western Blvd.
Turtle Lake, WI 54889
InfinityRetailServices.com

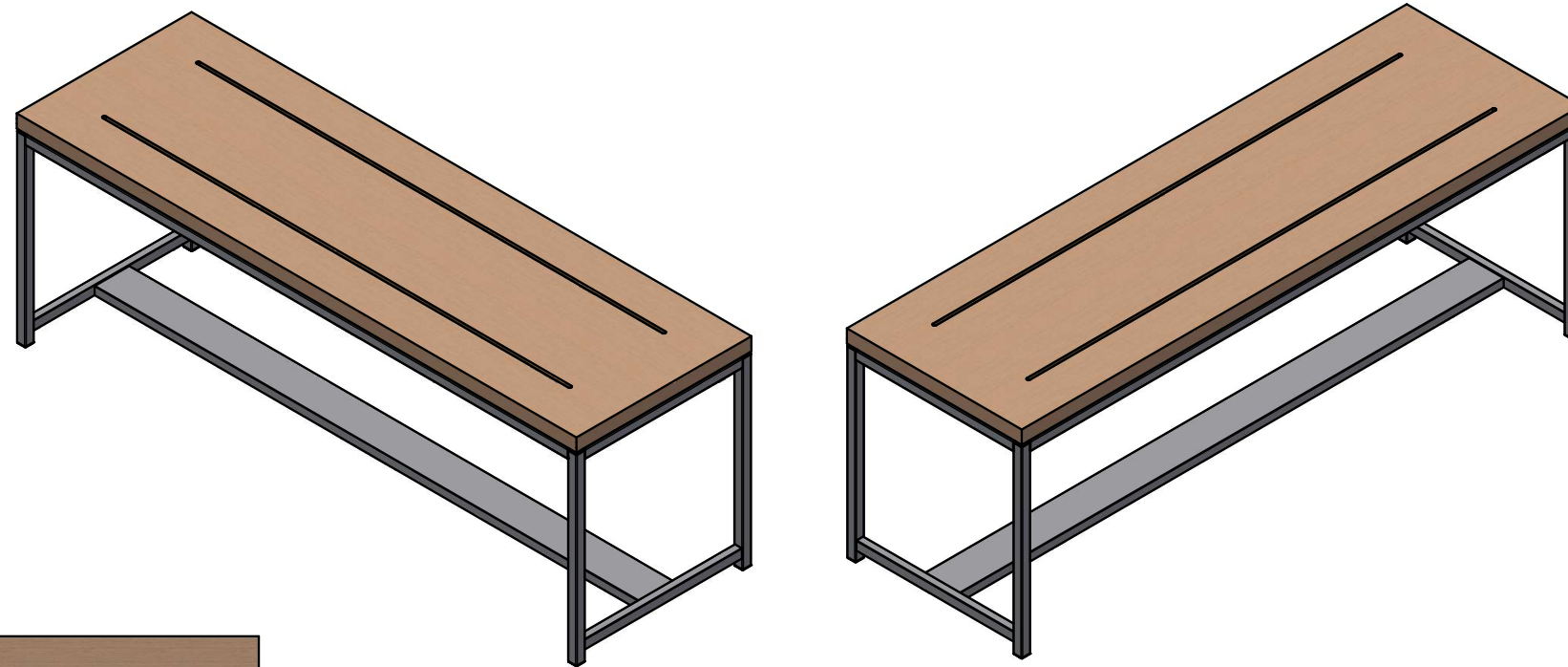
Part Name: 5-Bay Device Rack

Part No: 1378

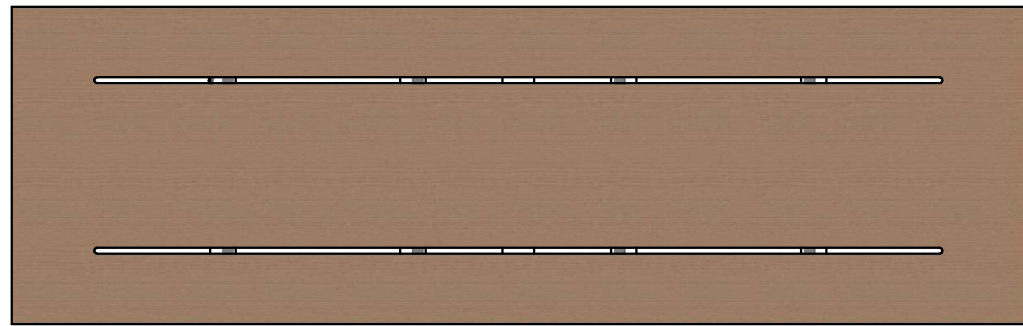
Drawn By: Josh Date: 6/20/2024

Sheet: 1 OF 1

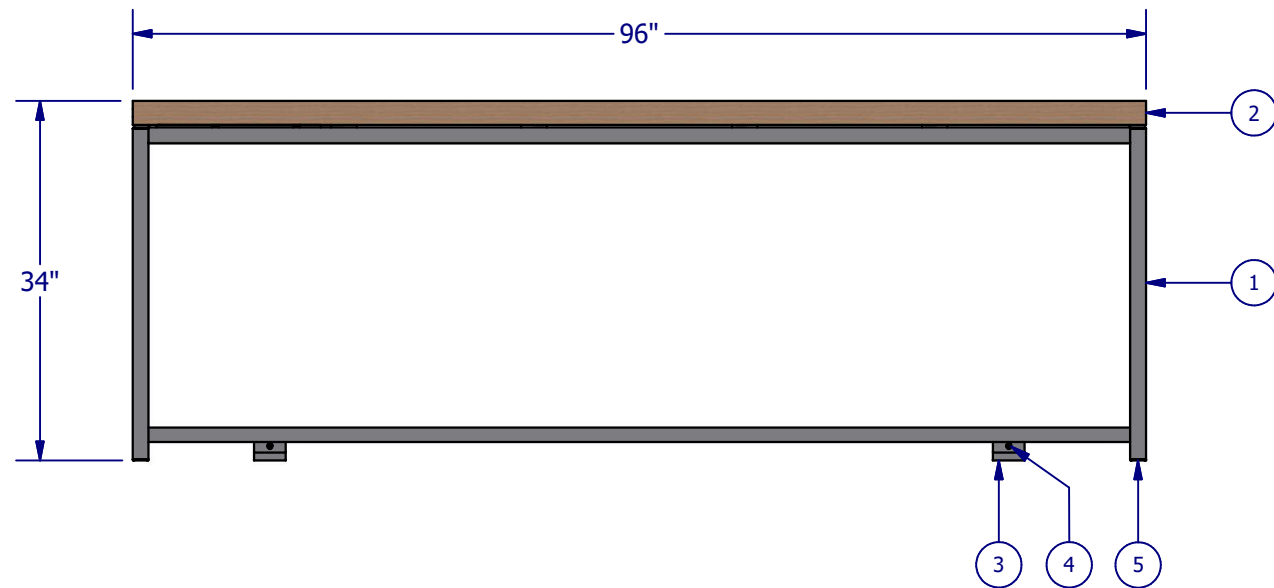
ITEM	QTY	DESCRIPTION
1	1	8' Experience Table Metal Frame
2	1	8' Experience Table Top
3	2	Anchor Bracket
4	4	1/4-20 x 1/2 In Long Pan Head ZP
5	4	1.5 In Square Poly Cap
6	1	6-Outlet Surge Protector



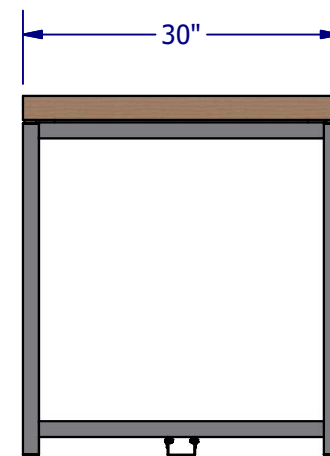
Isometric Views



Top View



Front View



Right View

- Hardware Kit:**
 (2) 1/2" x 1-1/2" Lag Screw
 (2) .375 x 3" Concrete Anchor
 (2) 1/2" Flat Washer
 (2) 1/2" Hex Nut



585 Western Blvd.
 Turtle Lake, WI 54889
 InfinityRetailServices.com

Part Name:
 8' Experience Table

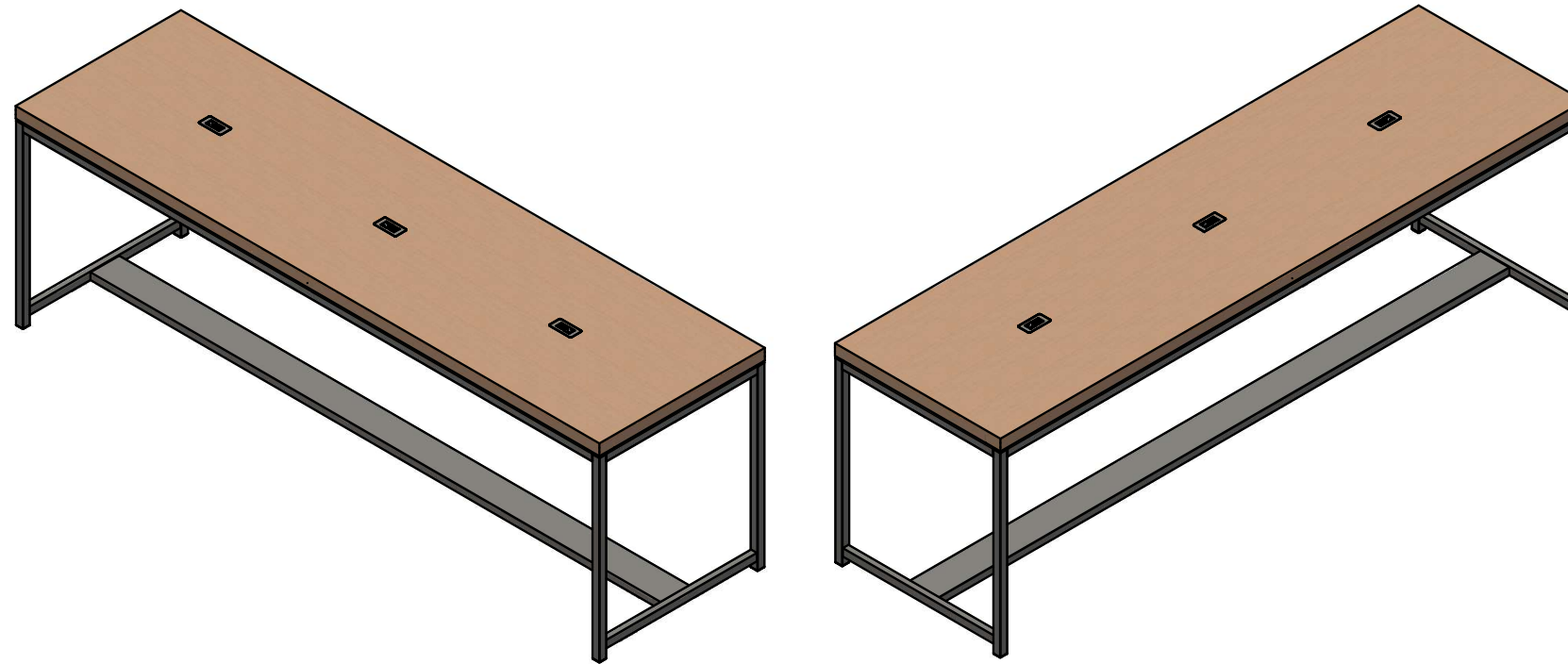
Part No:
 1383

Drawn By:
 Josh

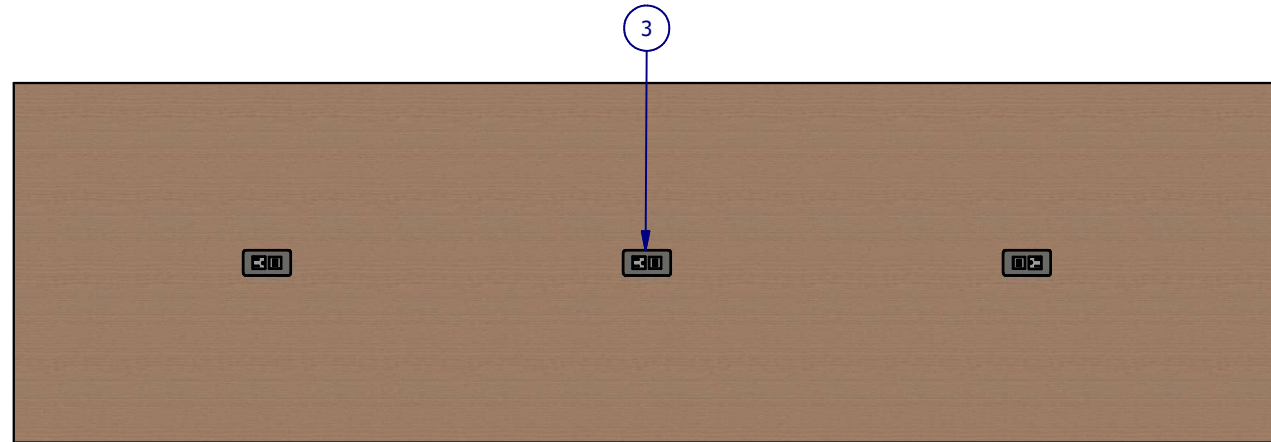
Date:
 6/20/2024

Sheet:
 1 OF 1

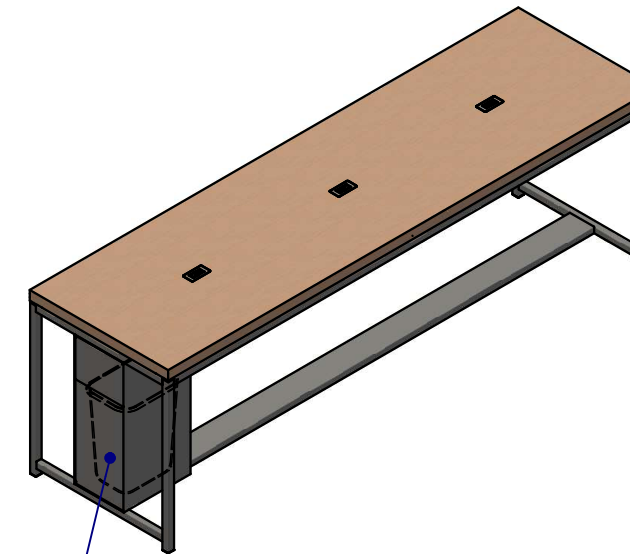
ITEM	QTY	DESCRIPTION
1	1	10' Collaboration Table Metal Frame
2	1	10' Collaboration Table Top
3	3	Power Tap BE01536-1
4	2	Anchor Bracket
5	4	1/4-20 x 1/2 In Long Pan Head ZP
6	4	1.5 In Square Poly Cap



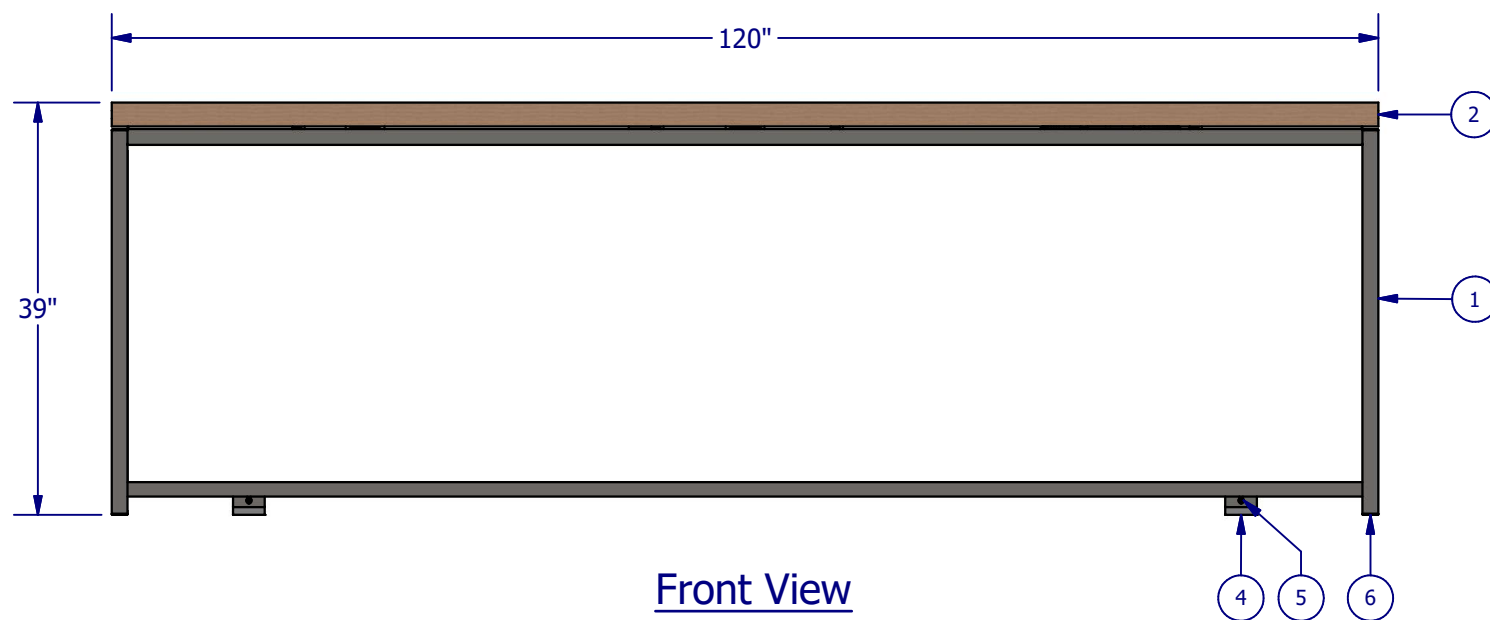
Isometric Views



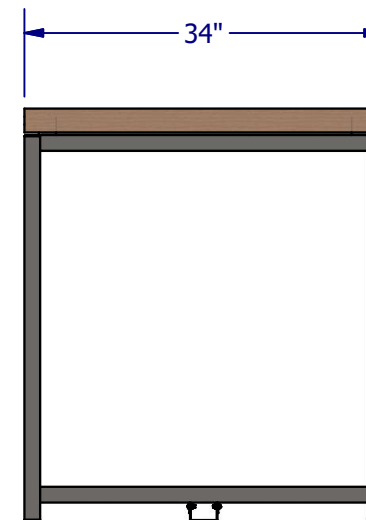
Top View



Collaboration table trash bin with 10 gallon trash can



Front View



Right View

Hardware Kit:
 (2) 1/2" x 1-1/2" Lag Screw
 (2) .375 x 3" Concrete Anchor
 (2) 1/2" Flat Washer
 (2) 1/2" Hex Nut



585 Western Blvd.
 Turtle Lake, WI 54889
 InfinityRetailServices.com

Part Name:
 10' Collaboration Table

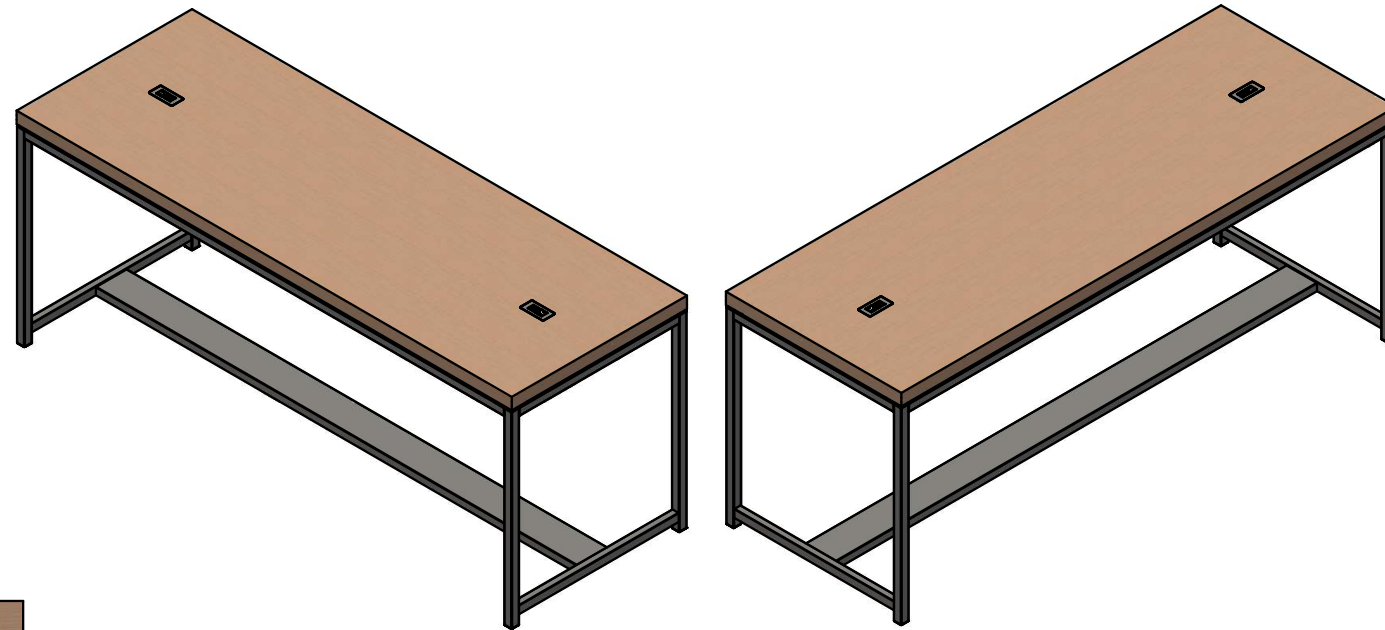
Part No:
 1384

Drawn By:
 Josh

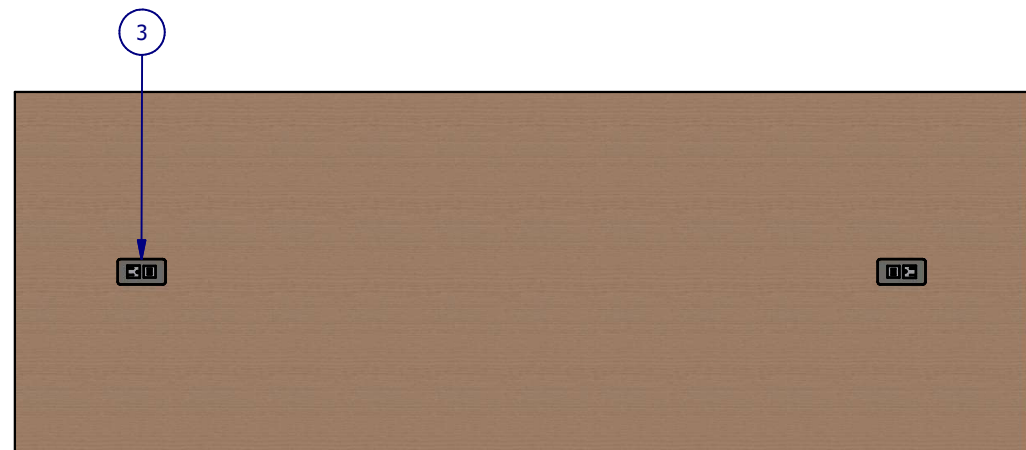
Date:
 6/20/2024

Sheet:
 1 OF 1

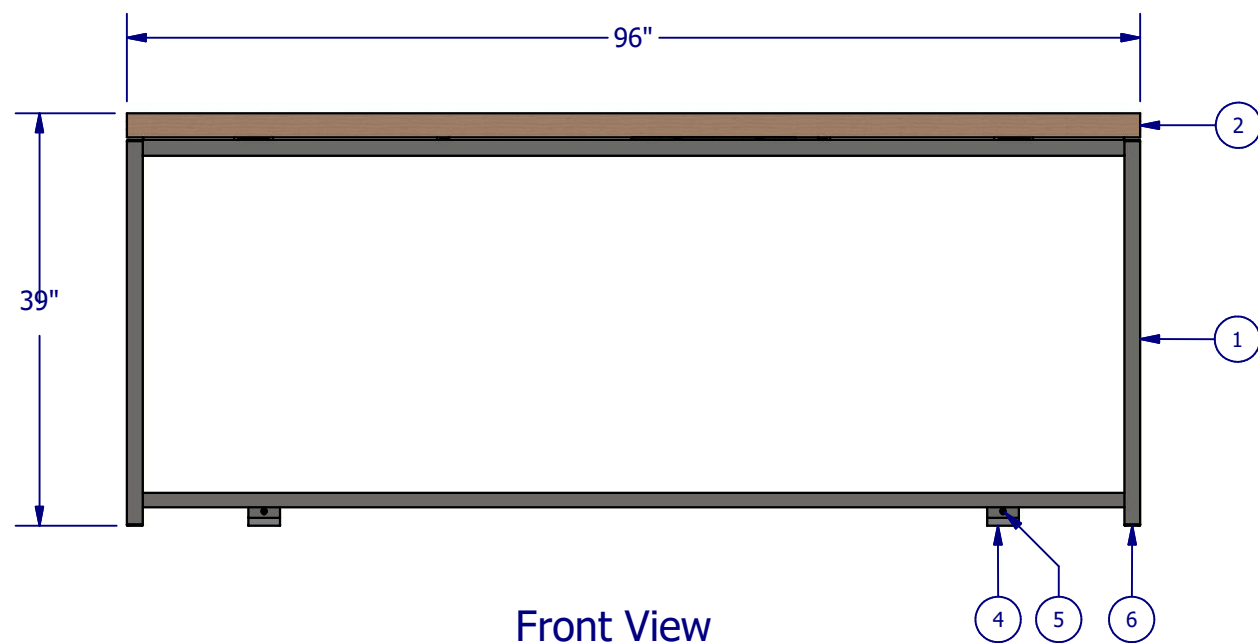
ITEM	QTY	DESCRIPTION
1	1	8' Collaboration Table Metal Frame
2	1	8' Collaboration Table Top
3	2	Power Tap BE01536-1
4	2	Anchor Bracket
5	4	1/4-20 x 1/2 In Long Pan Head ZP
6	4	1.5 In Square Poly Cap



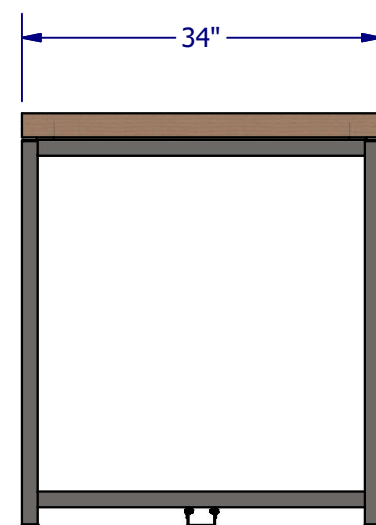
Isometric Views



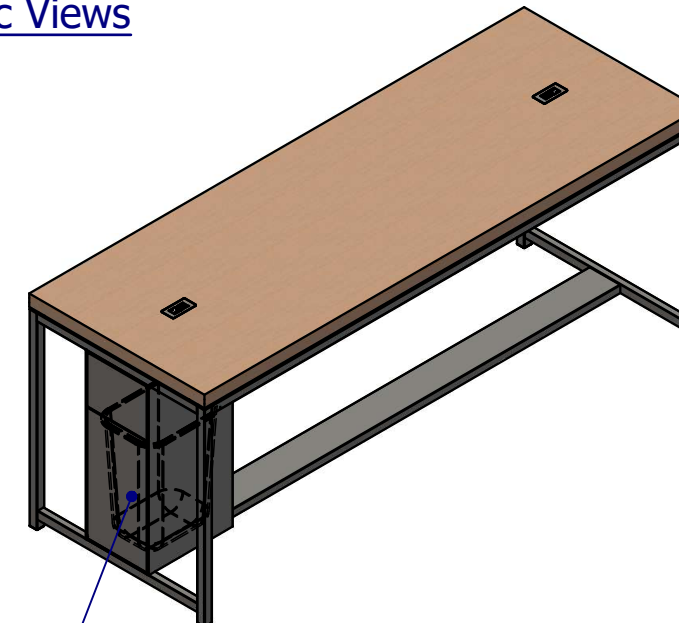
Top View



Front View



Right View



Collaboration table trash bin with 10 gallon trash can

- Hardware Kit:**
 (2) 1/2" x 1-1/2" Lag Screw
 (2) .375 x 3" Concrete Anchor
 (2) 1/2" Flat Washer
 (2) 1/2" Hex Nut



585 Western Blvd.
 Turtle Lake, WI 54889
 InfinityRetailServices.com

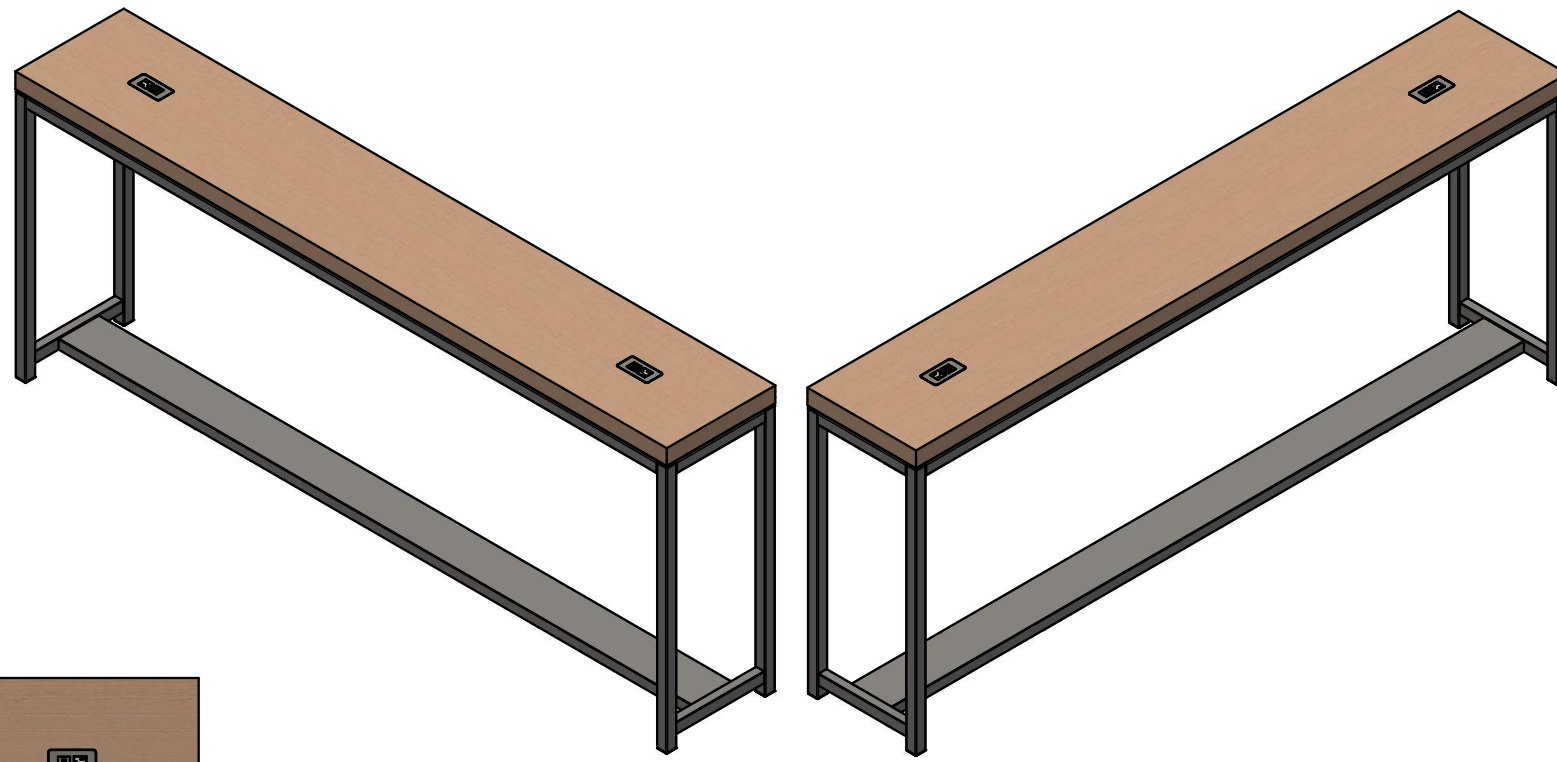
Part Name: 8' Collaboration Table

Part No: 1385

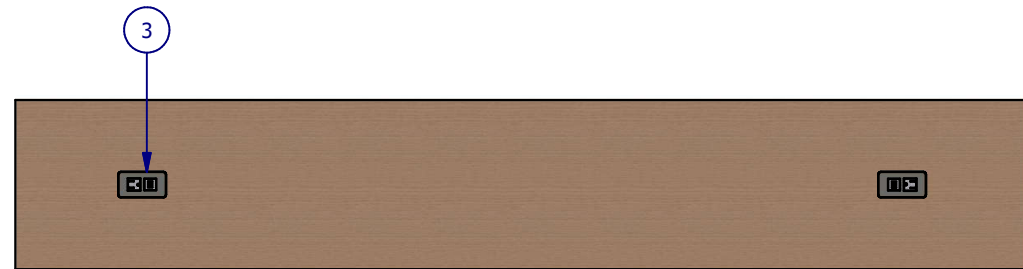
Drawn By: Josh Date: 6/20/2024

Sheet: 1 OF 1

ITEM	QTY	DESCRIPTION
1	1	Collaboration Bar 8' Frame
2	1	8' Collaboration Bar Top
3	2	Power Tap BE01536-1
4	2	Anchor Bracket
5	4	1/4-20 x 1/2 In Long Pan Head ZP
6	4	1.5 In Square Poly Cap

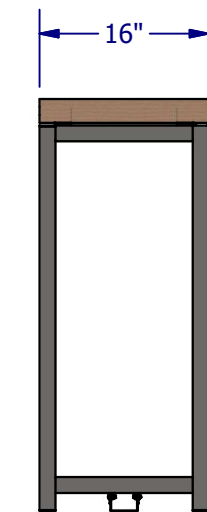
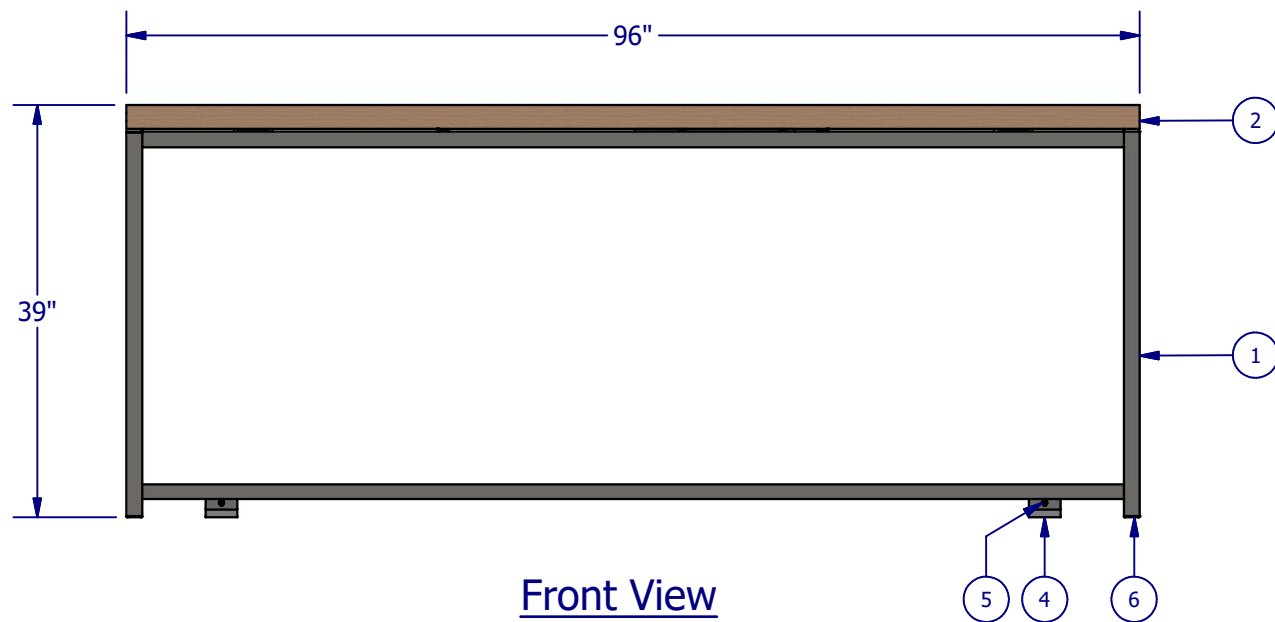


Hardware Kit:
 (2) 1/2" x 1-1/2" Lag Screw
 (2) .375 x 3" Concrete Anchor
 (2) 1/2" Flat Washer
 (2) 1/2" Hex Nut



Isometric Views

Top View



Right View

Front View



585 Western Blvd.
 Turtle Lake, WI 54889
 InfinityRetailServices.com

Part Name: 8' Collaboration Bar

Part No: 1386

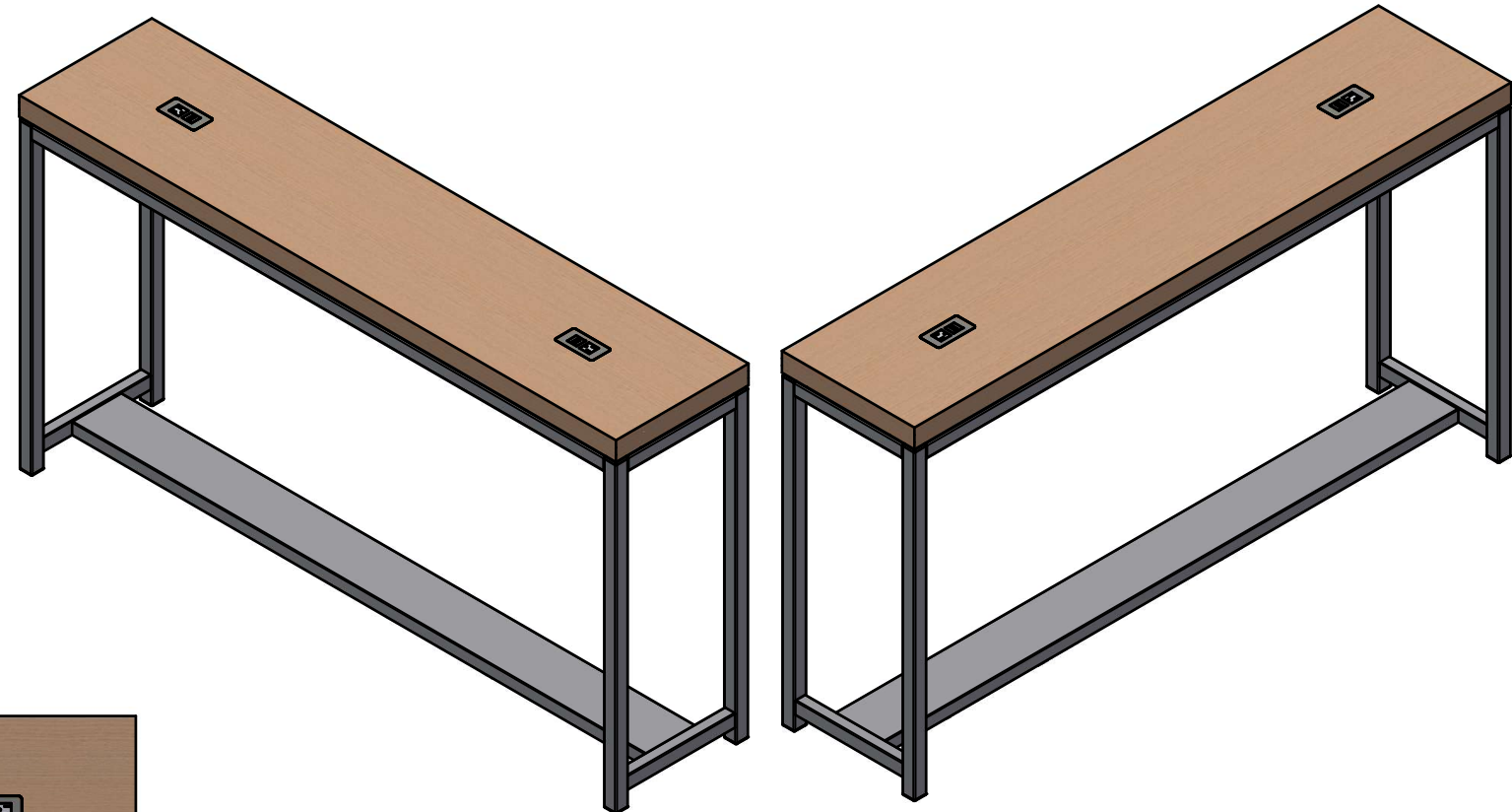
Drawn By: Josh

Date: 6/20/2024

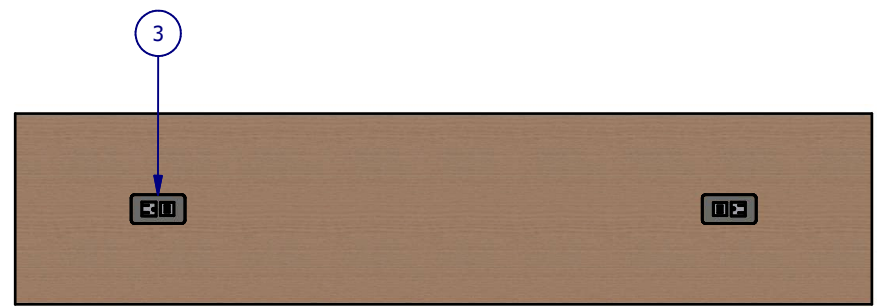
Sheet: 1 OF 1

ITEM	QTY	DESCRIPTION
1	1	Collaboration Bar 6' Frame
2	1	6' Collaboration Bar Top
3	2	Power Tap BE01536-1
4	2	Anchor Bracket
5	4	1/4-20 x 1/2 In Long Pan Head ZP
6	4	1.5 In Square Poly Cap

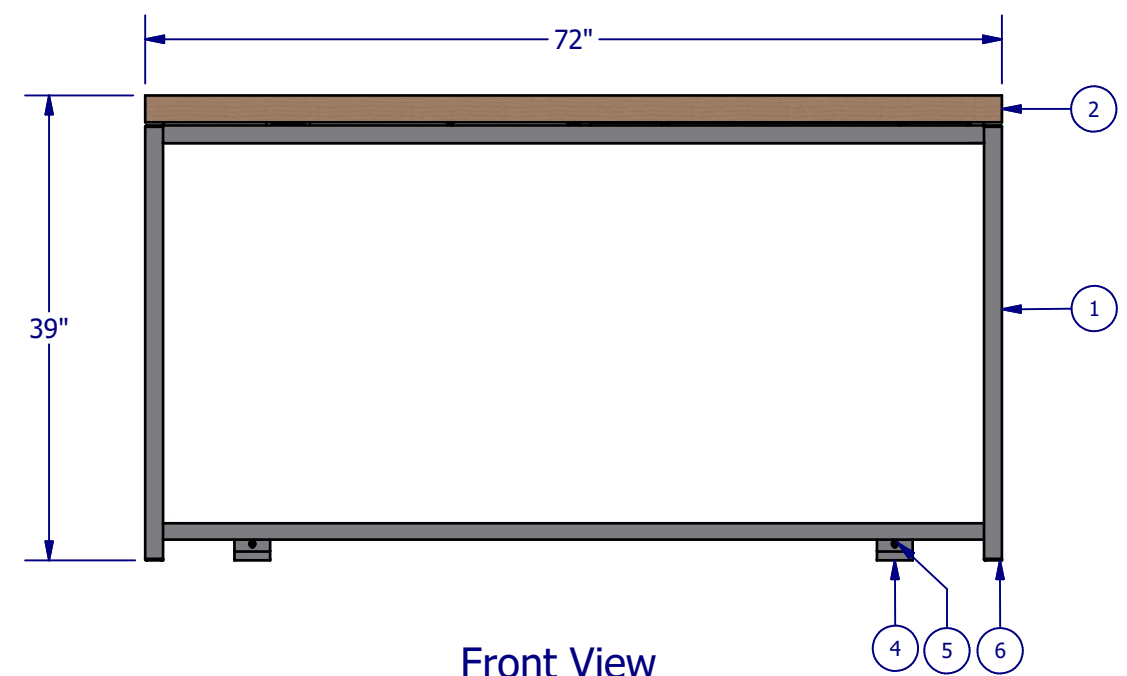
Hardware Kit:
 (2) 1/2" x 1-1/2" Lag Screw
 (2) .375 x 3" Concrete Anchor
 (2) 1/2" Flat Washer
 (2) 1/2" Hex Nut



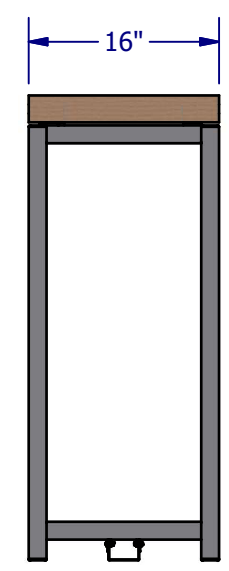
Isometric Views



Top View



Front View



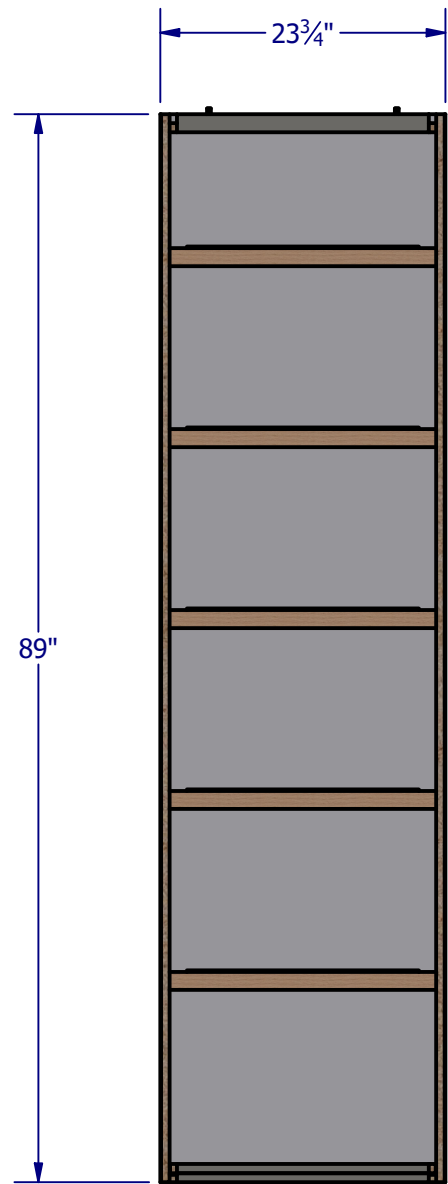
Right View

INFINITY
 RETAIL SERVICES
 585 Western Blvd.
 Turtle Lake, WI 54889
 InfinityRetailServices.com

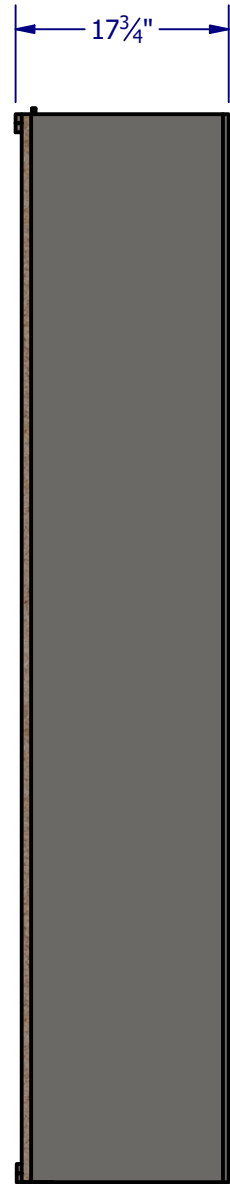
Part Name:
6' Collaboration Bar

Part No:
1387

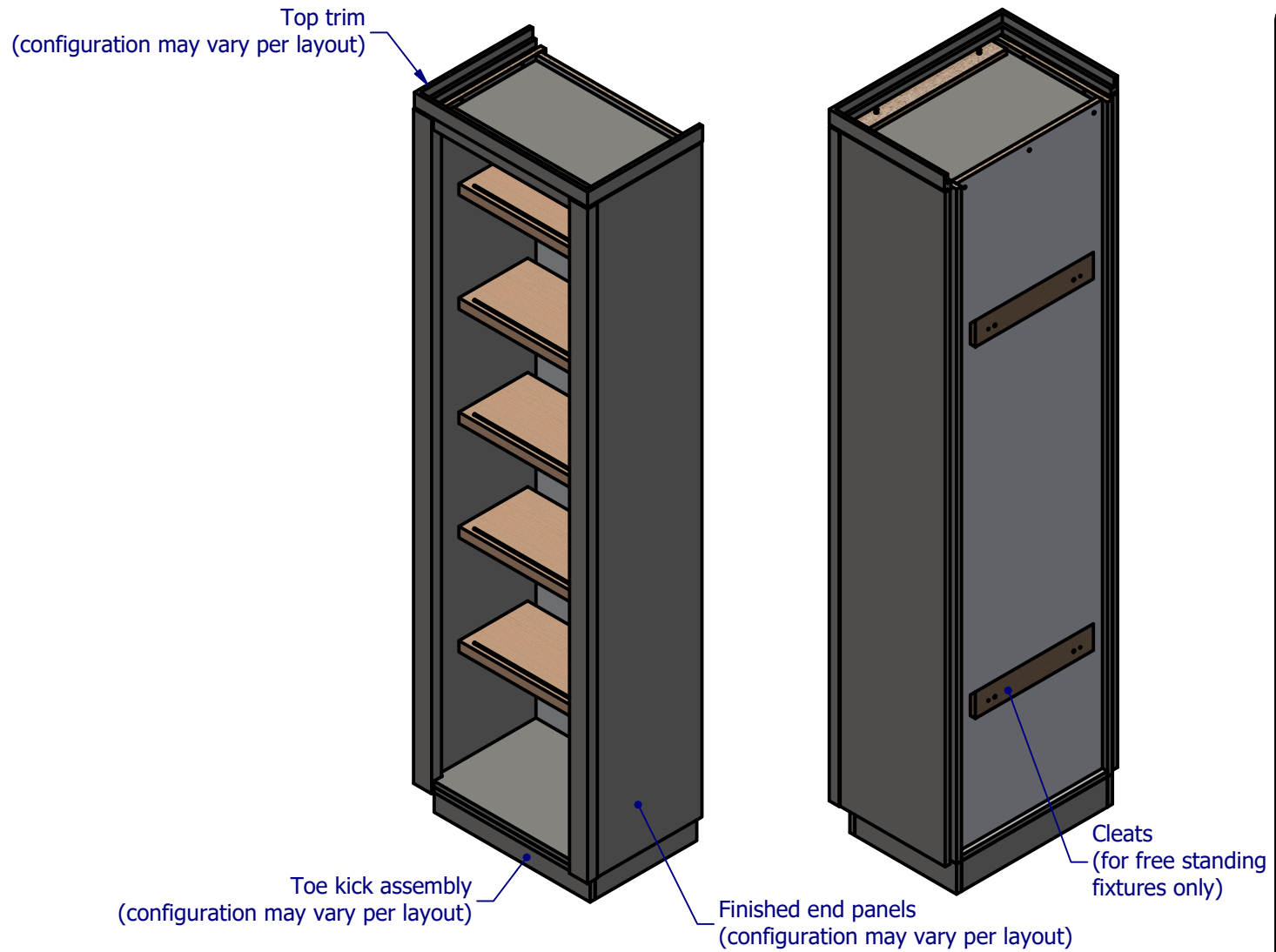
Drawn By: **Josh** Date: **6/20/2024**



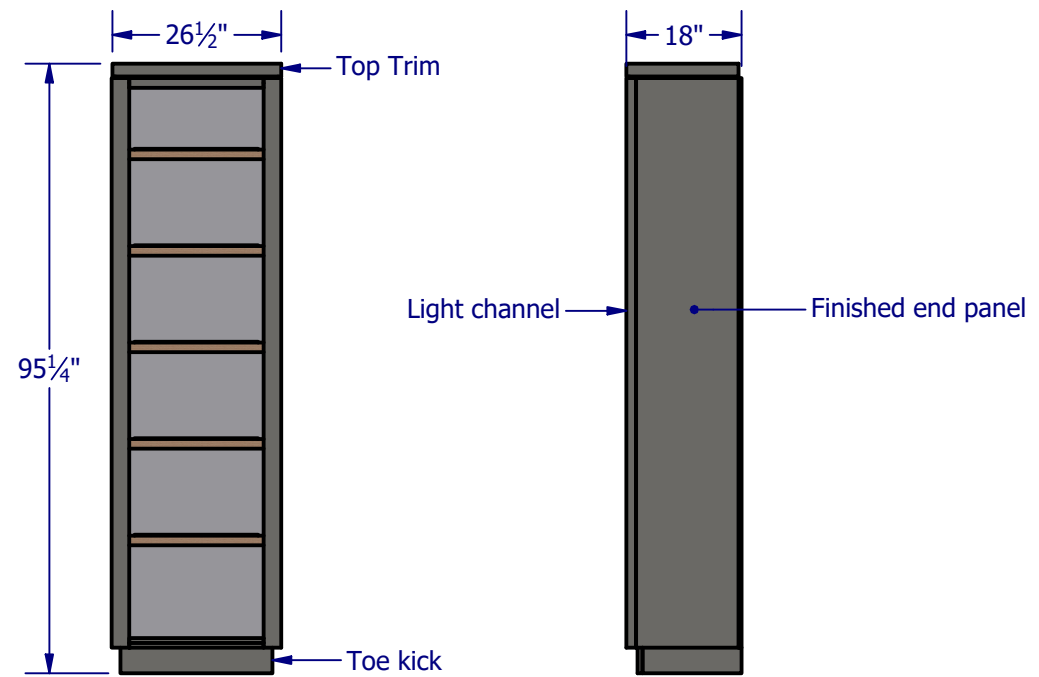
Front View



Right View



Isometric Views



Overall Dimensions

- Hardware Kit:**
 (6) #8 x 3" Steel Stud Screw
 (10) #8 x 1.25" Flat Head Screw
 (2) 5mm x 24mm Steel Dowel



585 Western Blvd.
 Turtle Lake, WI 54889
 InfinityRetailServices.com

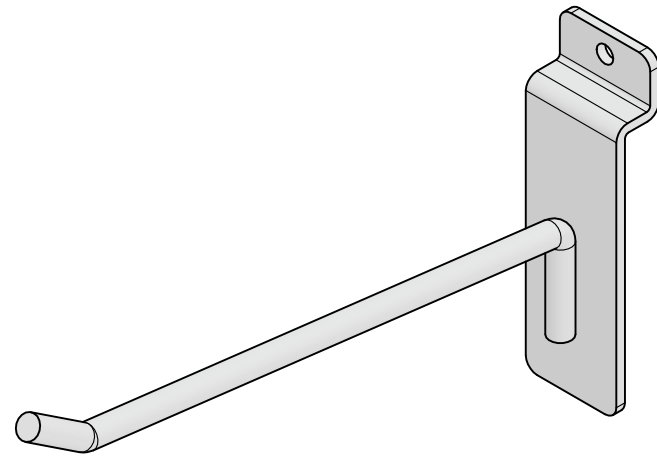
Part Name: 2' Shelf Wall Bay

Part No: 1390

Drawn By: Josh

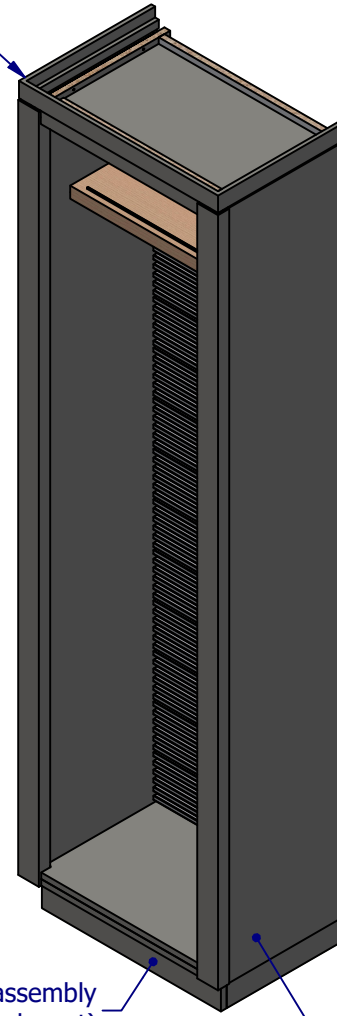
Date: 6/20/2024

Sheet:
 1 OF 1



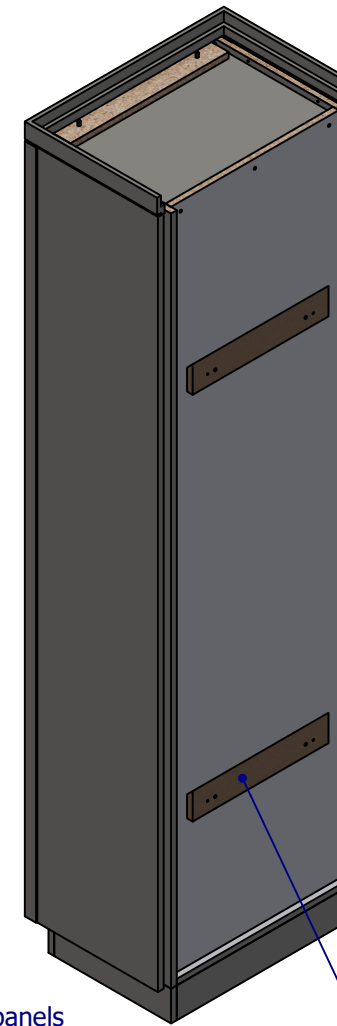
Peg hook

Top trim
(configuration may vary per layout)



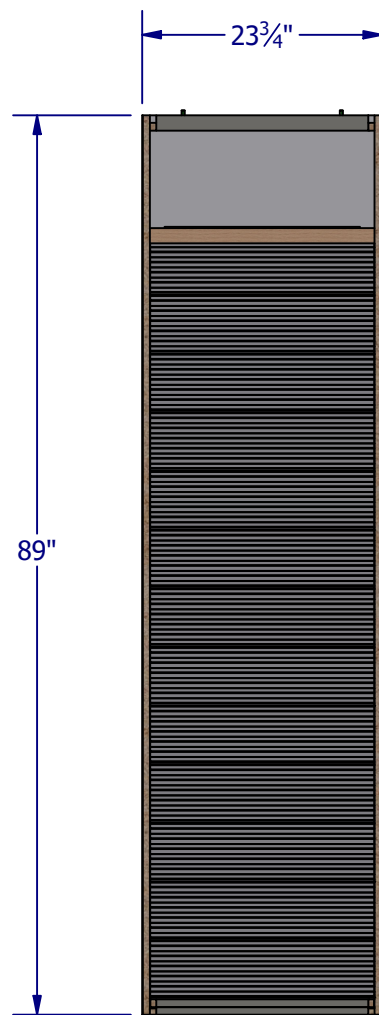
Toe kick assembly
(configuration may vary per layout)

Finished end panels
(configuration may vary per layout)

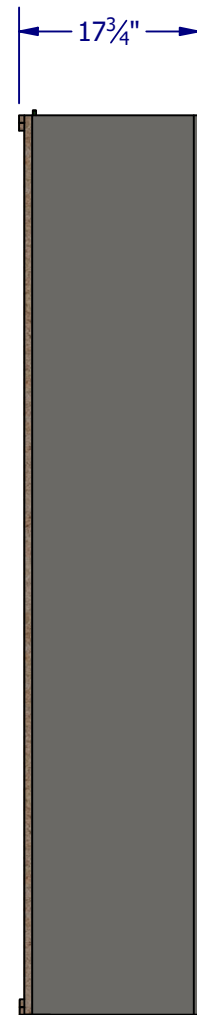


Cleats
(for free standing fixtures only)

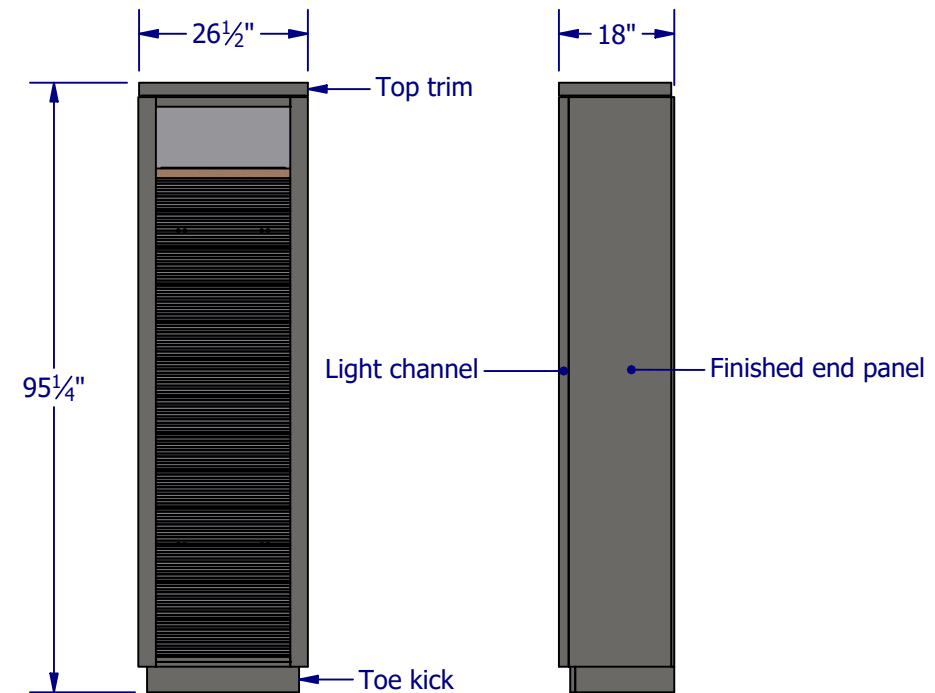
Isometric Views



Front View



Right View



Overall Dimensions

- Hardware Kit:**
 (6) #8 x 3" Steel Stud Screw
 (10) #8 x 1.25" Flat Head Screw
 (2) 5mm x 24mm Steel Dowel
 (25) Peg hooks



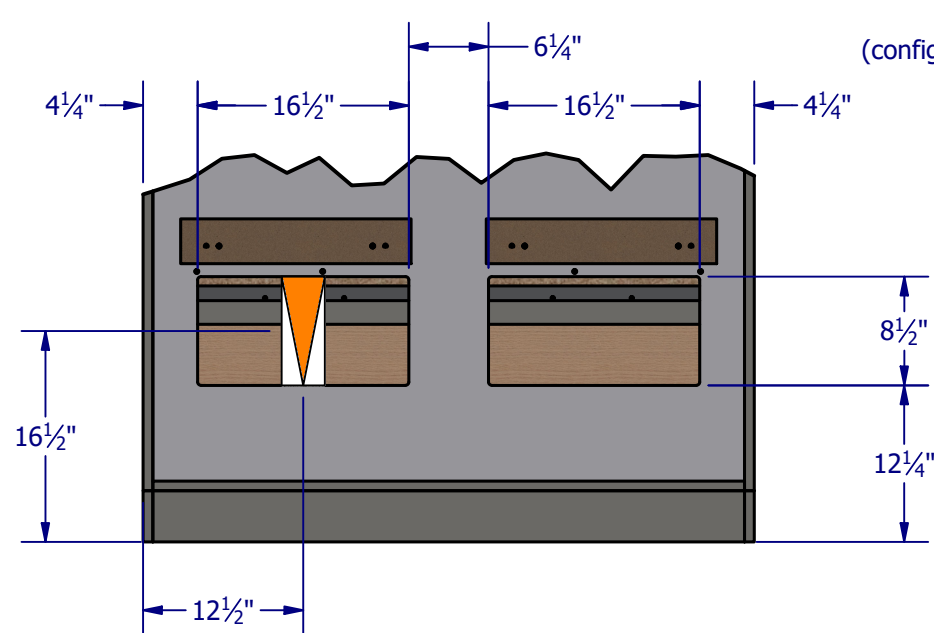
585 Western Blvd.
 Turtle Lake, WI 54889
 InfinityRetailServices.com

Part Name:
 2' Slatwall Wall Bay

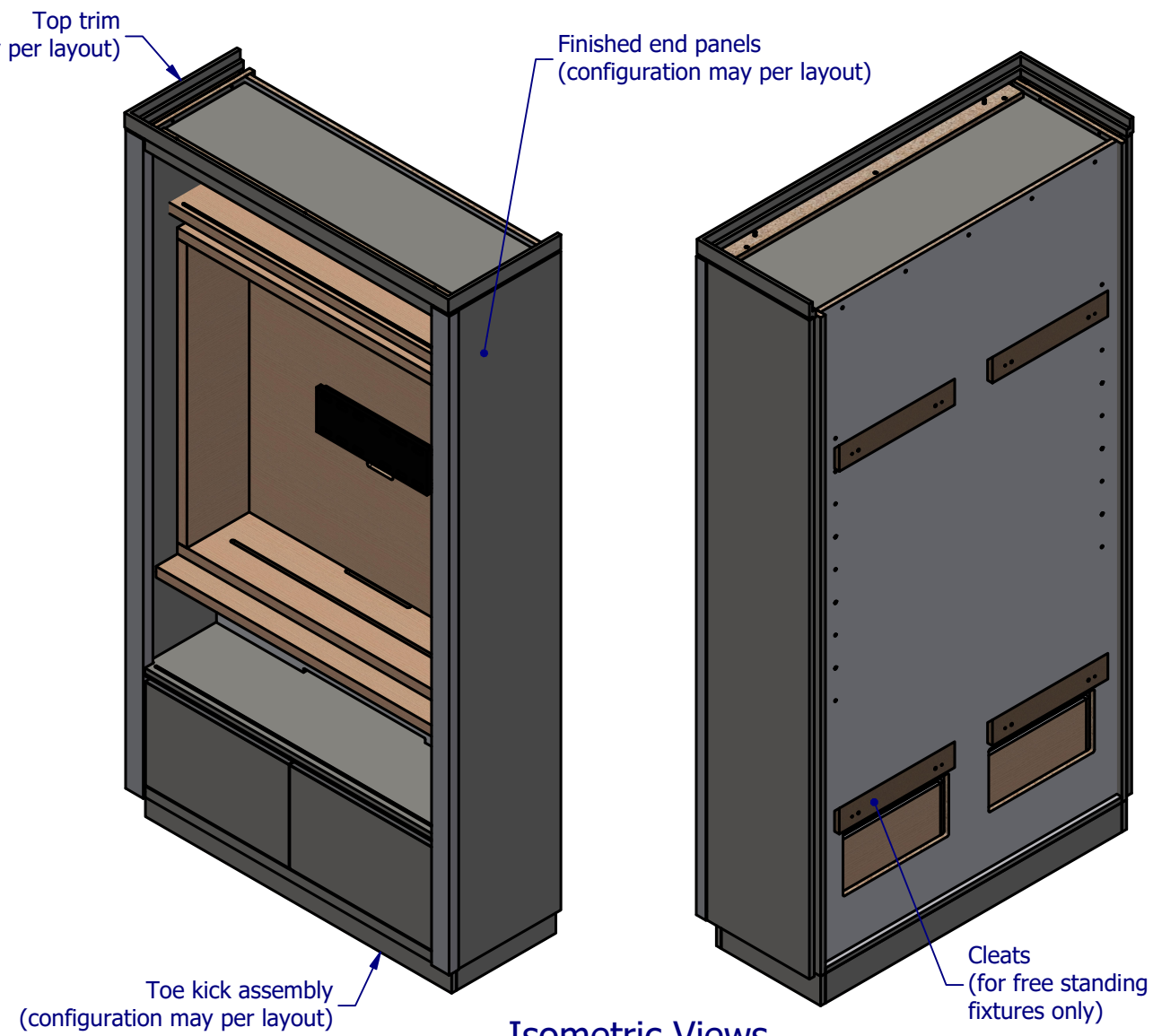
Part No:
 1391

Drawn By: Josh Date: 6/20/2024

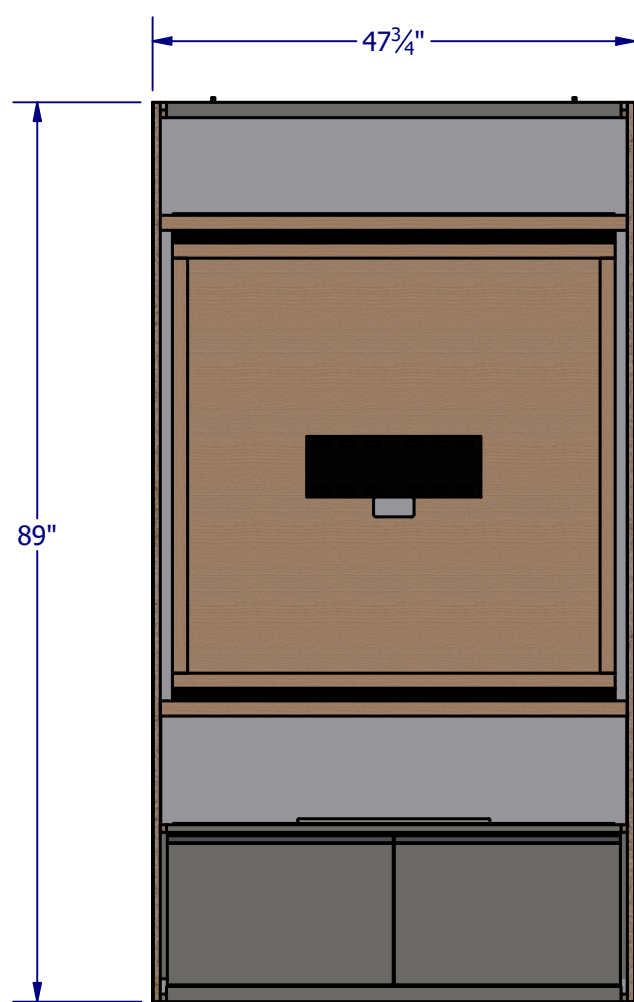
Sheet:
 1 OF 1



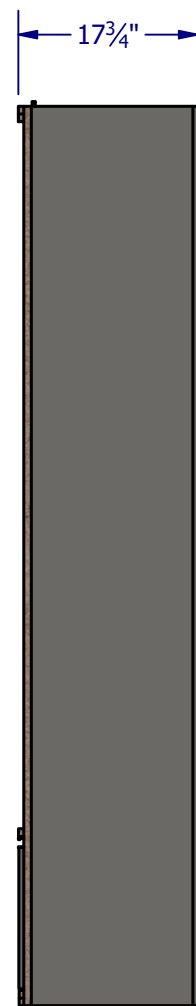
A (1 : 15)



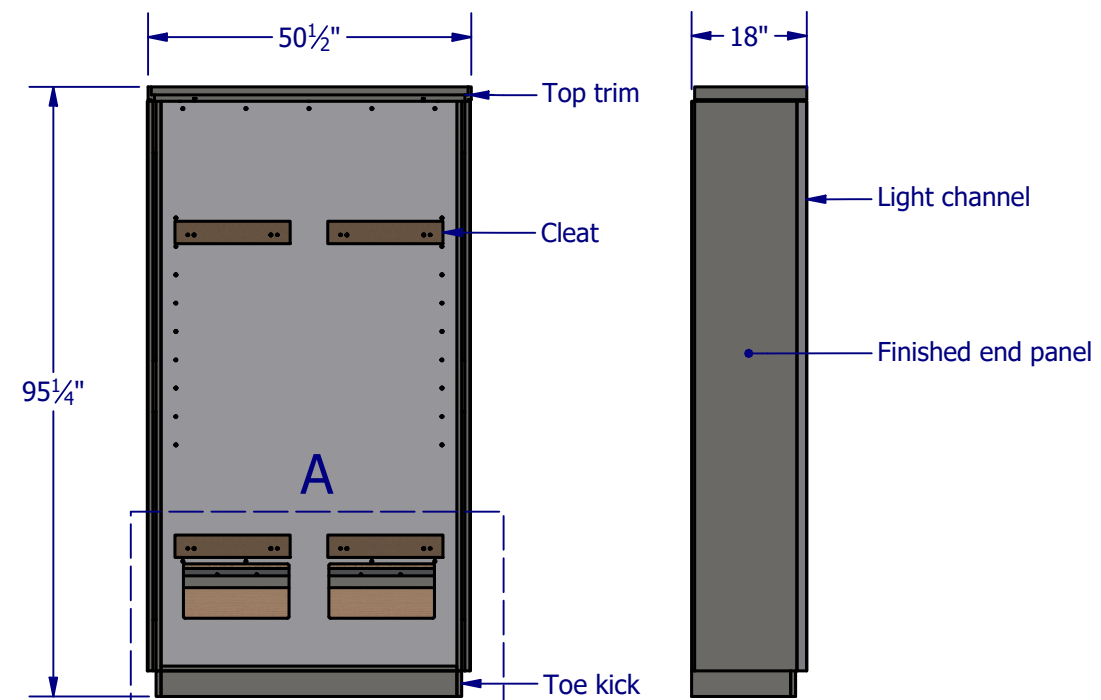
Isometric Views



Front View



Right View



Overall Dimensions

- Hardware Kit:**
 (6) #8 x 3" Steel Stud Screw
 (10) #8 x 1.25" Flat Head Screw
 (2) 5mm x 24mm Steel Dowel

Maximum Monitor Width is 40"



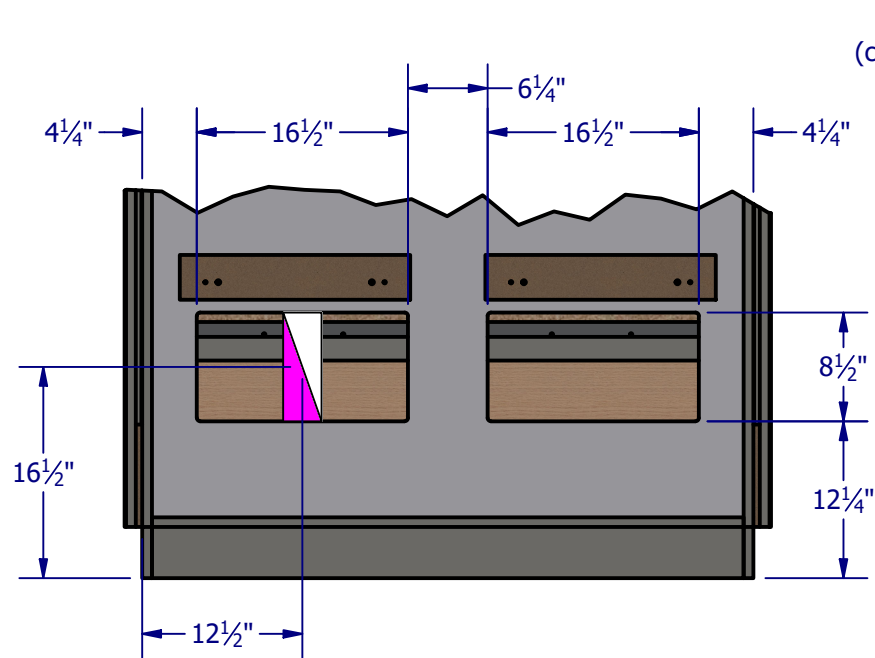
585 Western Blvd.
 Turtle Lake, WI 54889
 InfinityRetailServices.com

Part Name:
 4' Entertainment Display-Agent

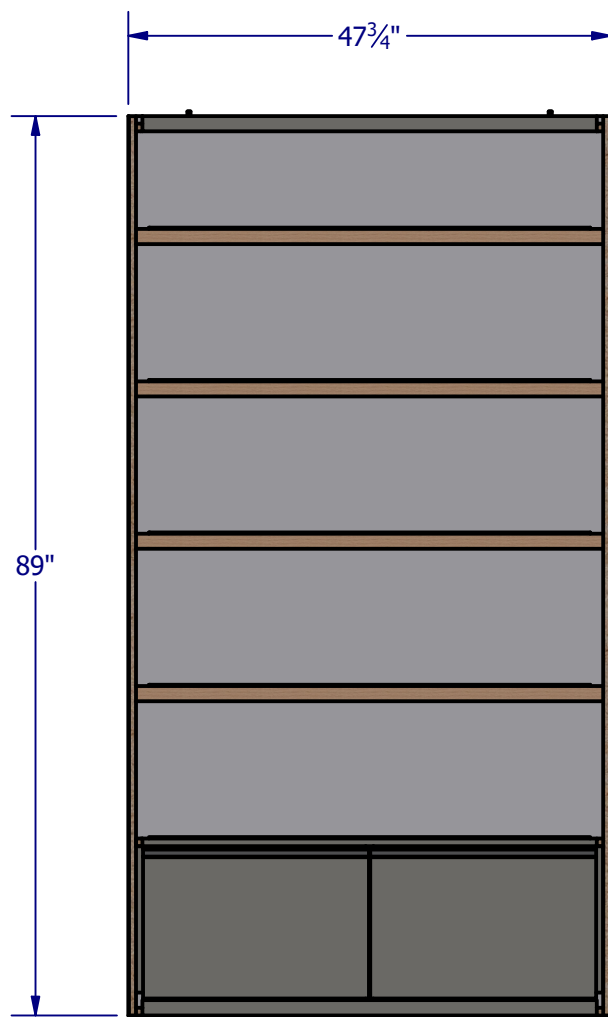
Part No:
 1392

Drawn By: Josh Date: 6/20/2024

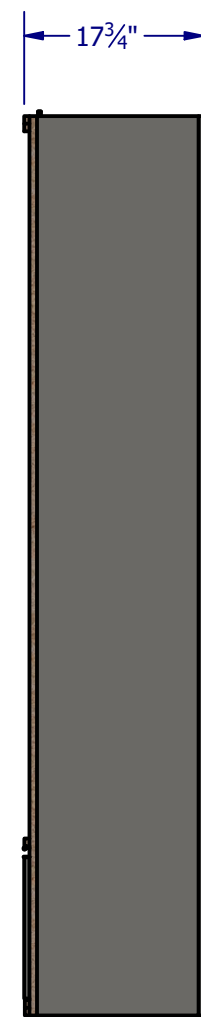
Sheet:
 1 OF 1



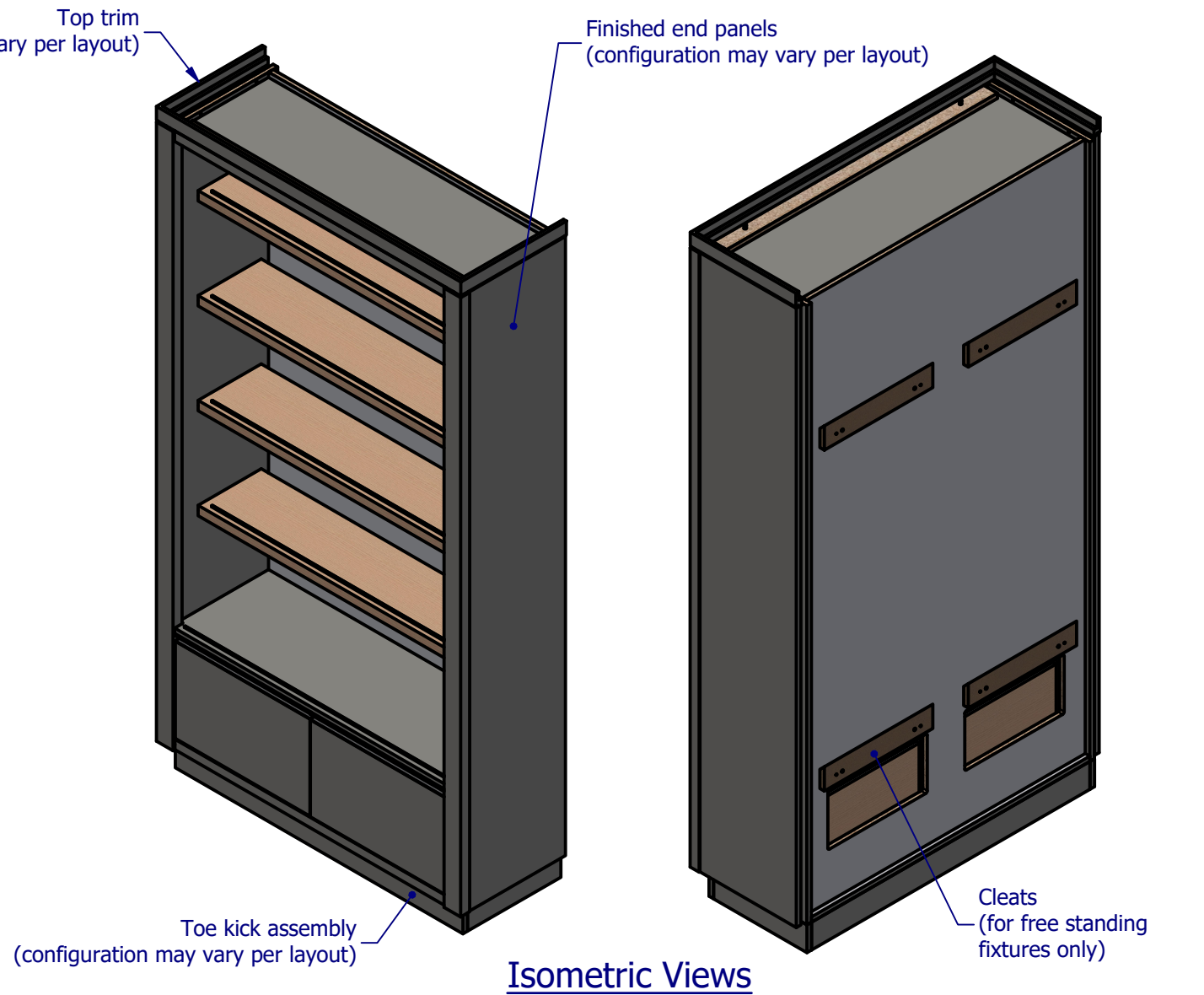
A (1 : 15)



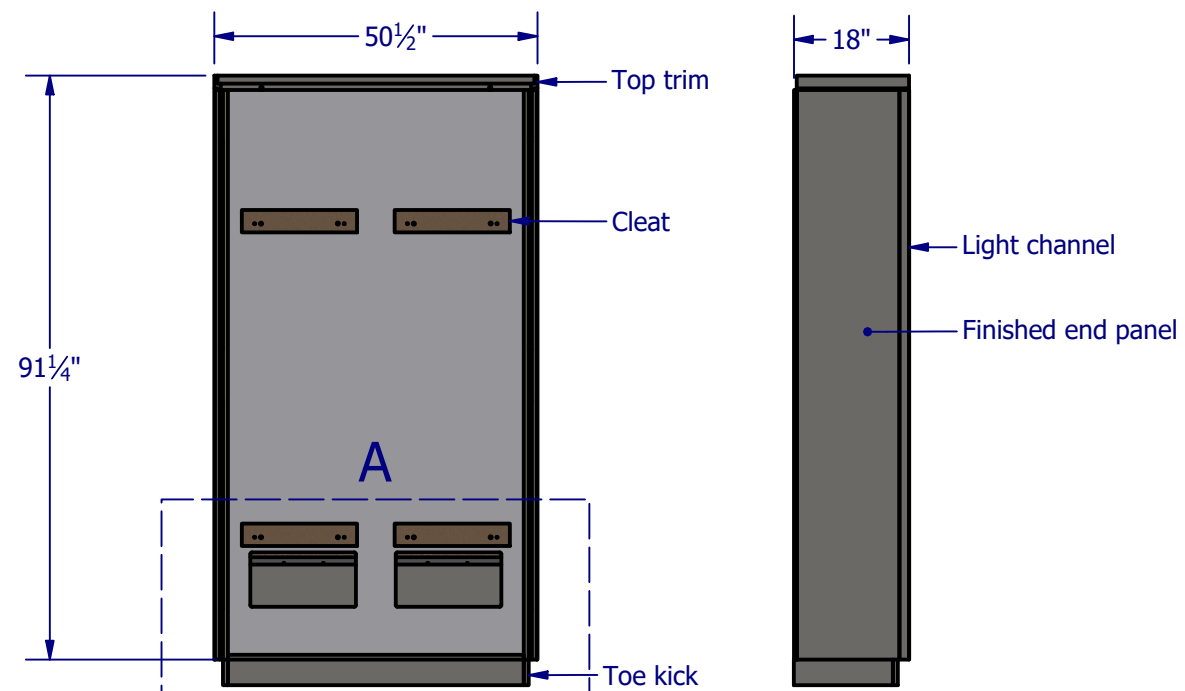
Front View



Right View



Isometric Views



Overall Dimensions

Hardware Kit:
 (6) #8 x 3" Flat Head Screw
 (10) #8 x 1.25" Flat Head Screw
 (2) 5x24mm Steel Dowel

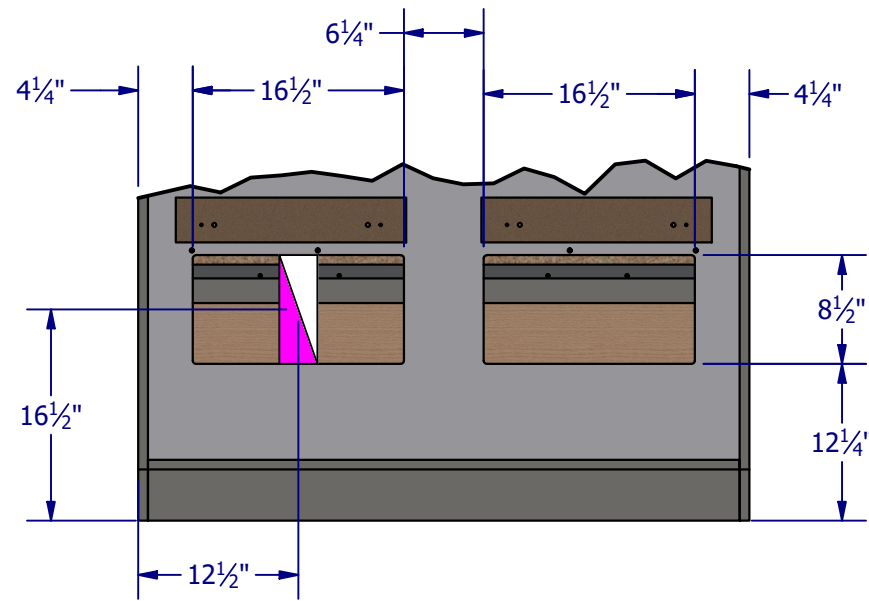
INFINITY
 RETAIL SERVICES
 585 Western Blvd.
 Turtle Lake, WI 54889
 InfinityRetailServices.com

Part Name: 4" Shelf Display

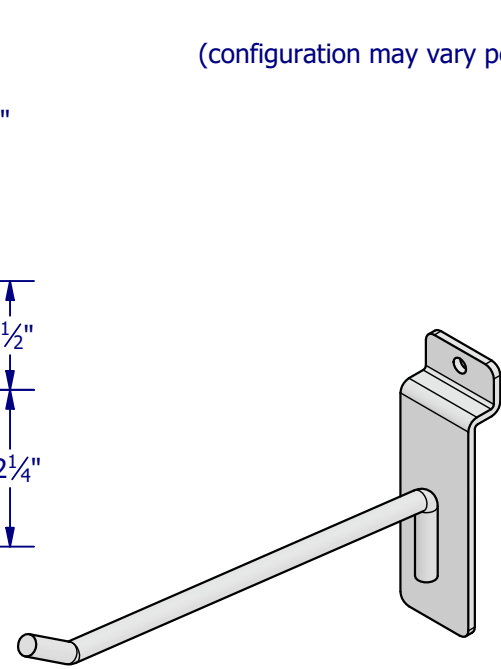
Part No: 1393

Drawn By: Josh Date: 6/20/2024

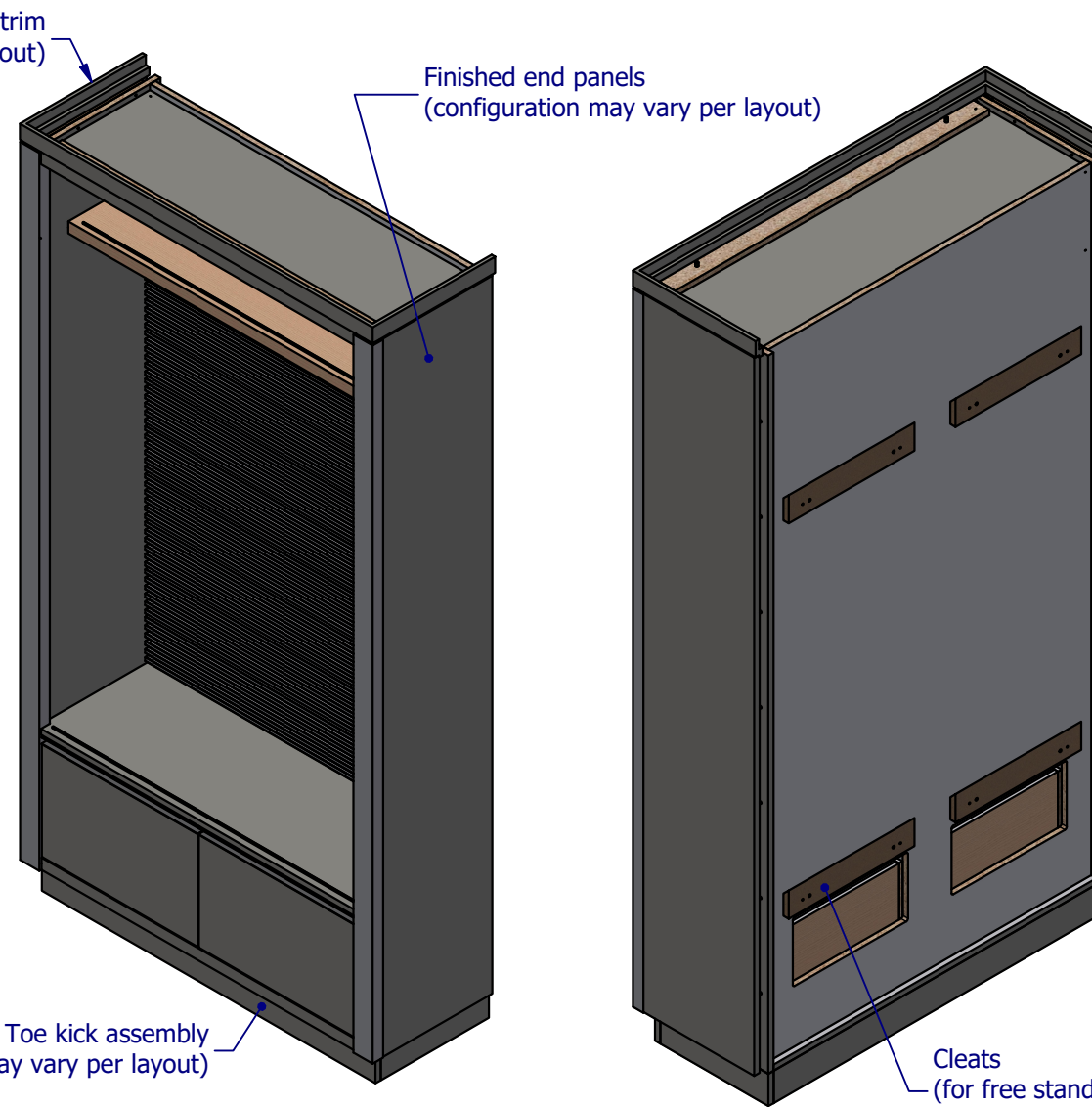
Sheet: 1 OF 1



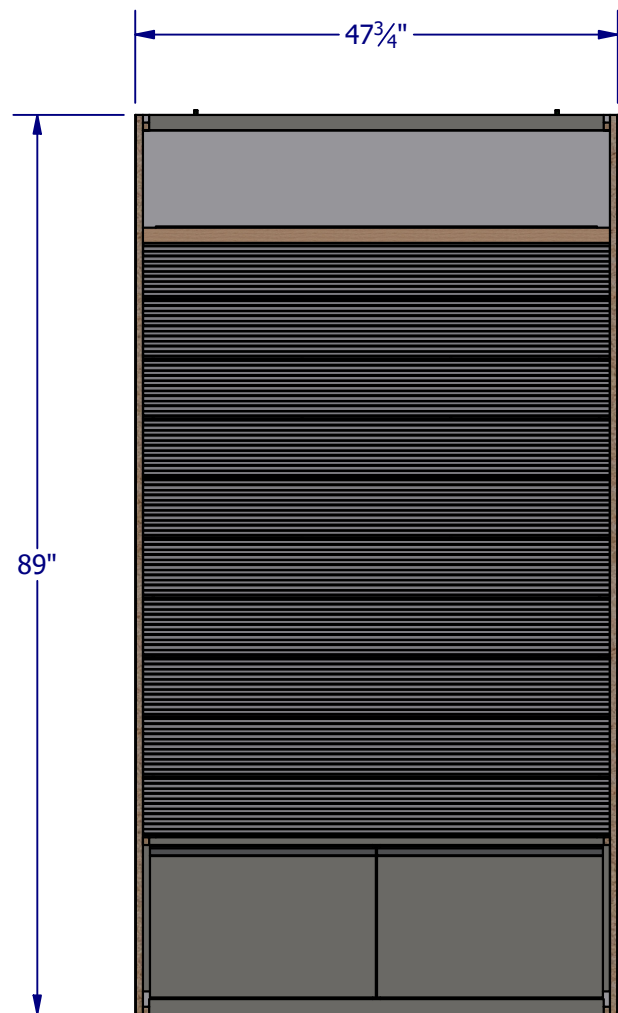
A (1 : 15)



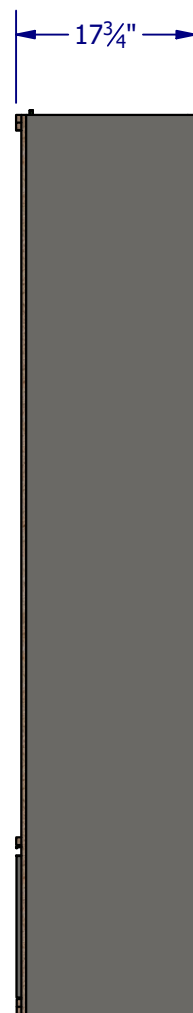
Peg hook



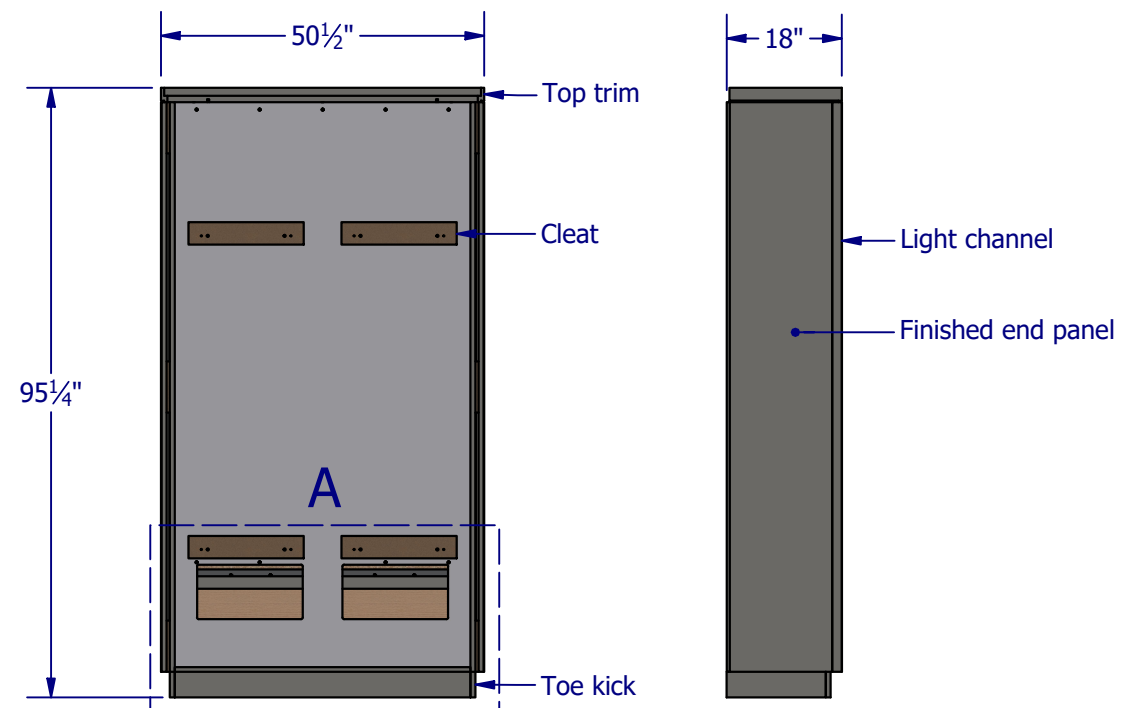
Isometric Views



Front View



Right View



Overall Dimensions

- Hardware Kit:**
- (6) #8 x 3" Flat Head Screw
 - (10) #8 x 1.25" Flat Head Screw
 - (2) 5x24mm Steel Dowel
 - (50) Peg hooks



585 Western Blvd.
Turtle Lake, WI 54889
InfinityRetailServices.com

Part Name: 4' Slatwall Display

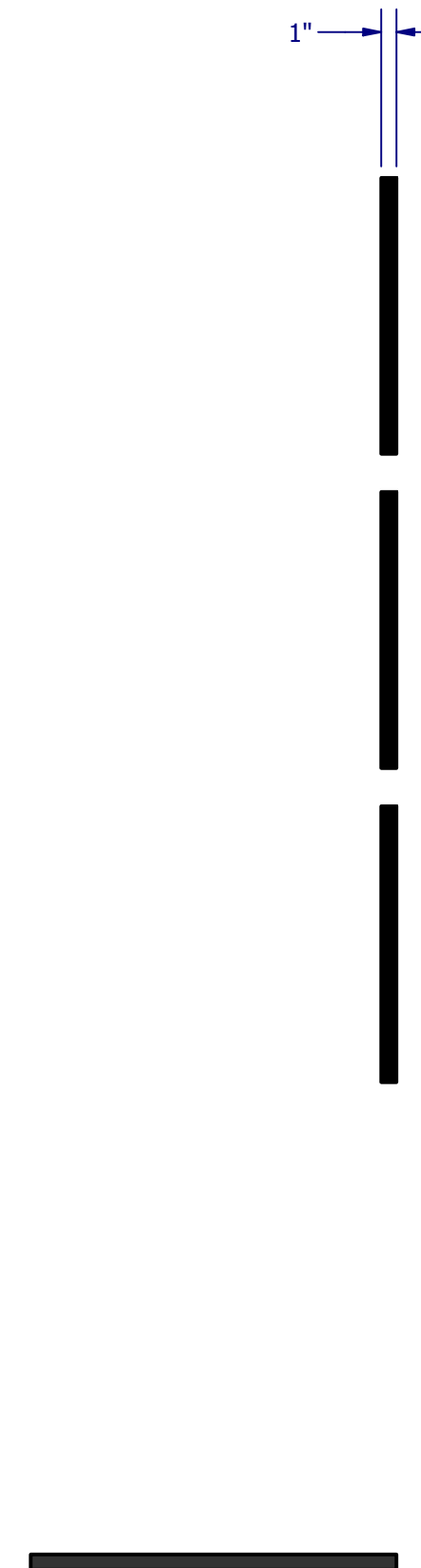
Part No: 1394

Drawn By: Josh Date: 6/20/2024

Sheet: 1 OF 1



Front View



Right View

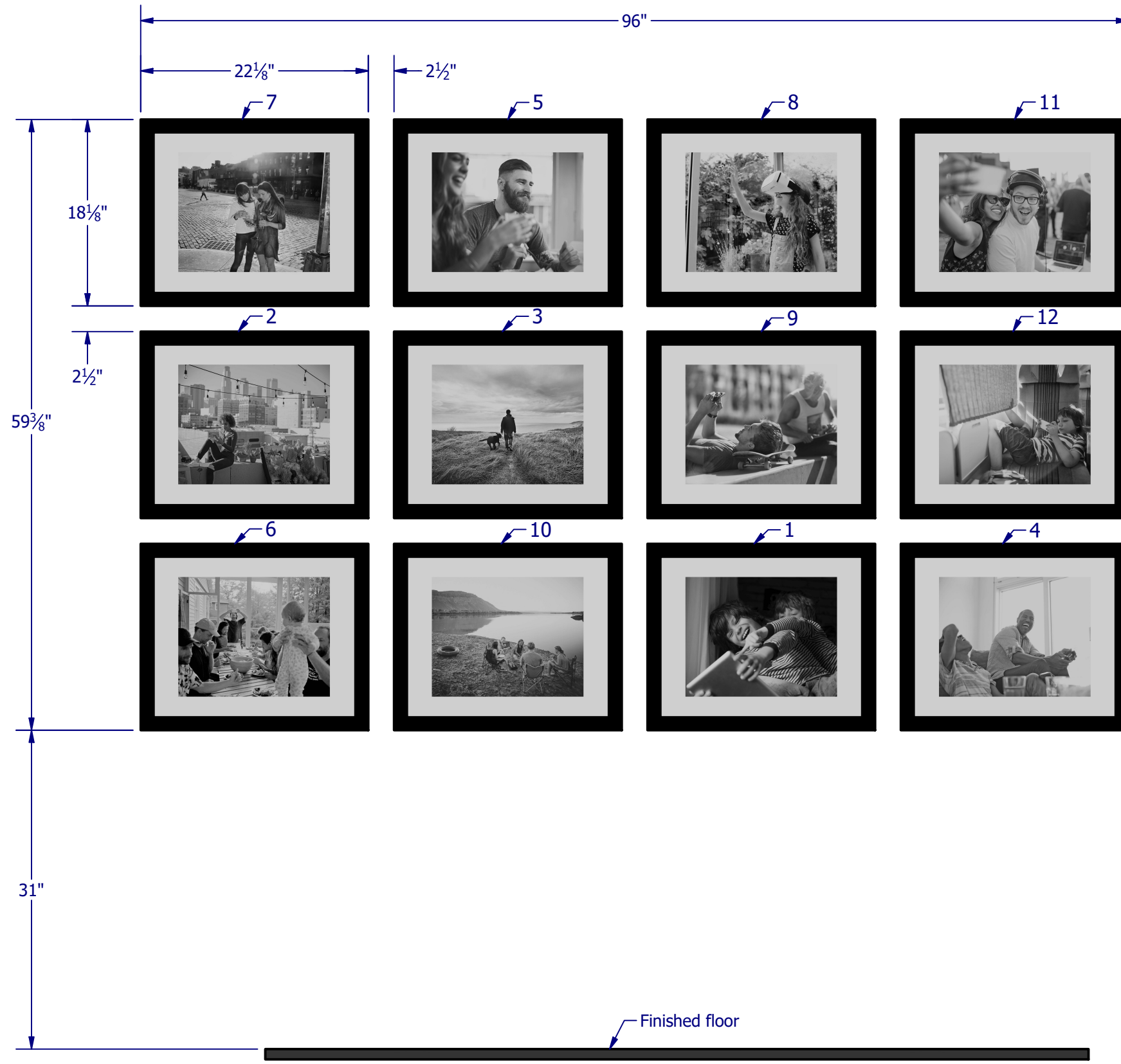
- Hardware Kit:**
 (1) Photo Wall Installation Template
 (32) #8 x 1" Flat Head Screw



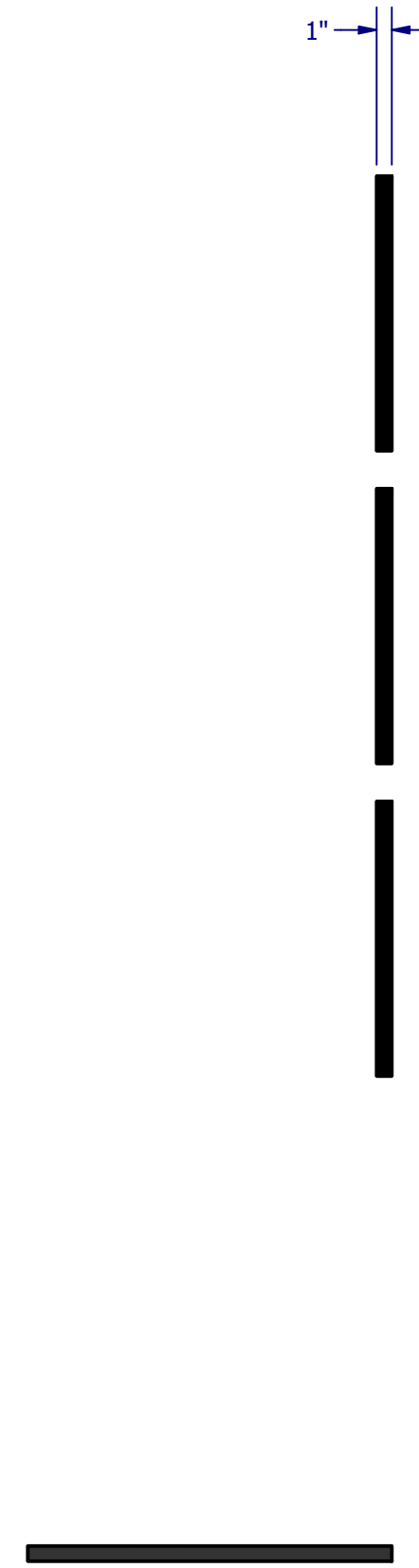
585 Western Blvd.
 Turtle Lake, WI 54889
 InfinityRetailServices.com

Part Name:	3x3 Photo Wall
Part No:	1395

Drawn By:	Josh	Date:	6/22/2024
Sheet:		1 OF 1	



Front View



Right View

Hardware Kit:
 (1) Photo Wall Installation Template
 (32) #8 x 1" Flat Head Screw



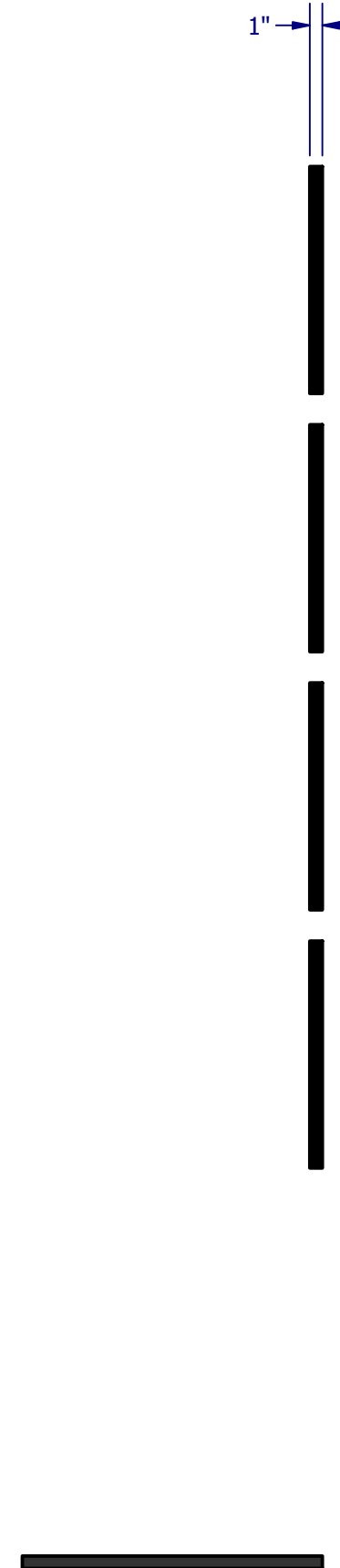
585 Western Blvd.
 Turtle Lake, WI 54889
 InfinityRetailServices.com

Part Name:	4x3 Photo Wall
Part No:	1396

Drawn By:	Josh	Date:	6/22/2024
Sheet:		1 OF 1	



Front View



Right View

- Hardware Kit:
 (1) Photo Wall Installation Template
 (32) #8 x 1" Flat Head Screw

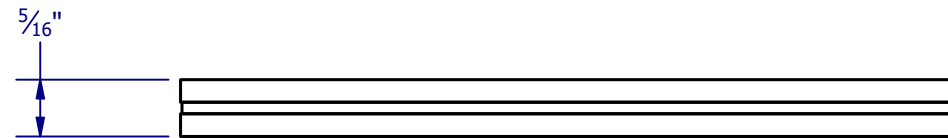
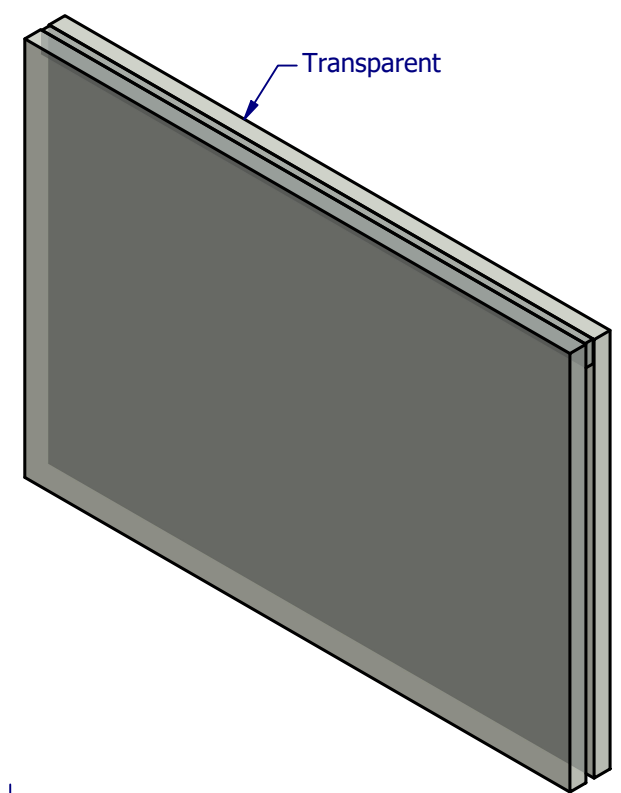


585 Western Blvd.
 Turtle Lake, WI 54889
 InfinityRetailServices.com

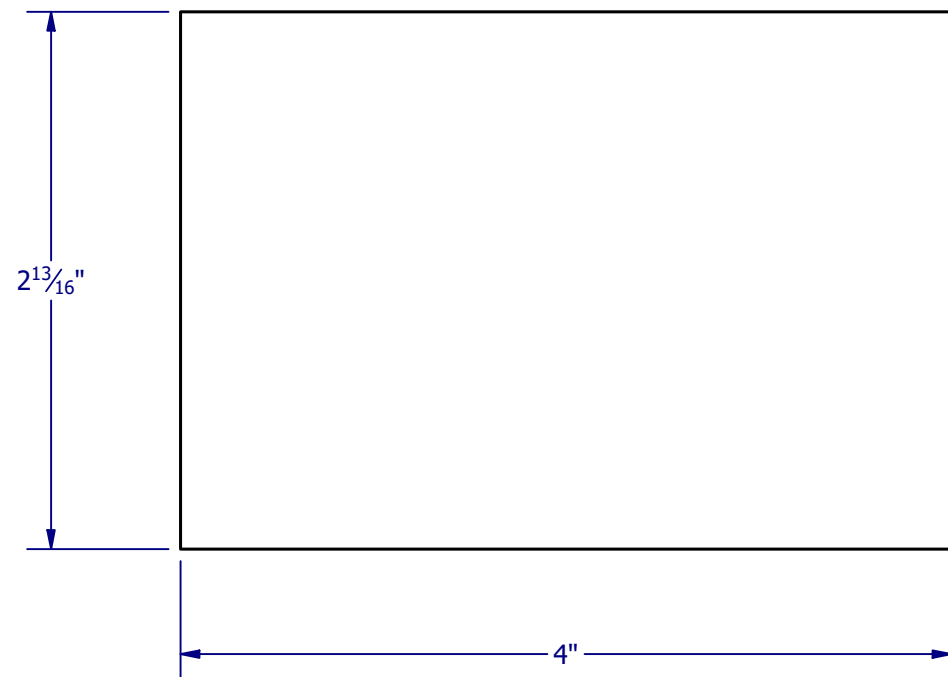
Part Name:	3x4 Photo Wall
Part No:	1397

Drawn By:	Josh	Date:	6/22/2024
Sheet:		1 OF 1	

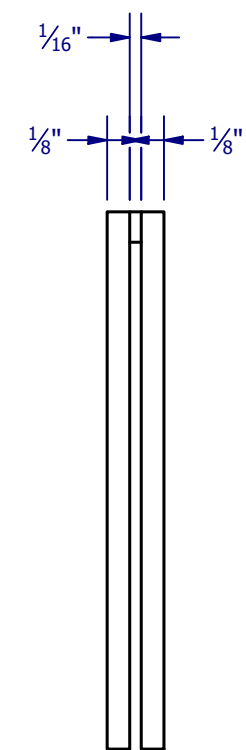
- Hardware Kit:
 (1) Photo Wall Installation
 Template
 (32) #8 x 1" Flat Head Screw



Top View



Front View



Right View



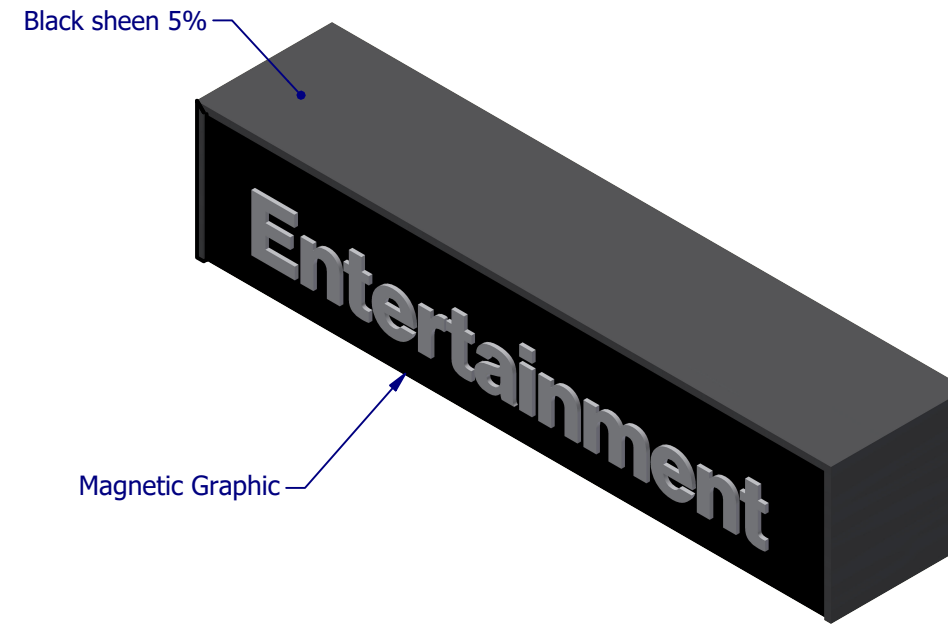
585 Western Blvd.
 Turtle Lake, WI 54889
 InfinityRetailServices.com

Part Name:	Device Rack COC
Part No:	1399

Drawn By:	Josh	Date:	6/22/2024
-----------	------	-------	-----------

Wall Bay Wayfinder Text Options:

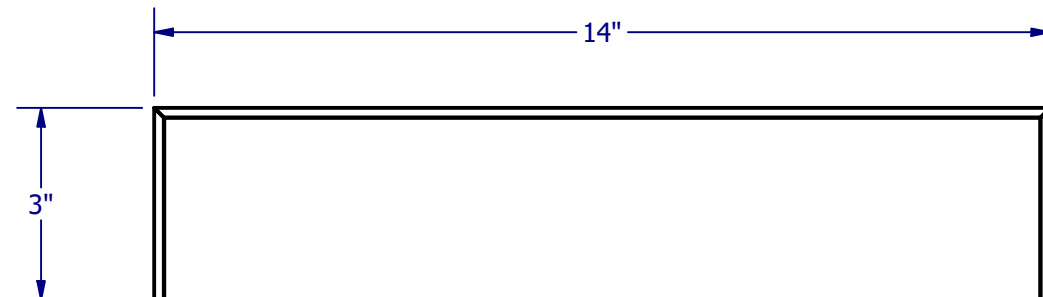
- Accessories
- Cases
- Chargers
- Entertainment
- Headphones
- Home
- Speakers
- Tablets



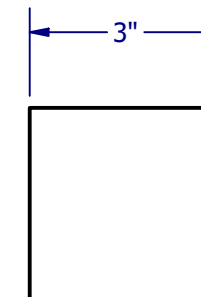
Isometric View



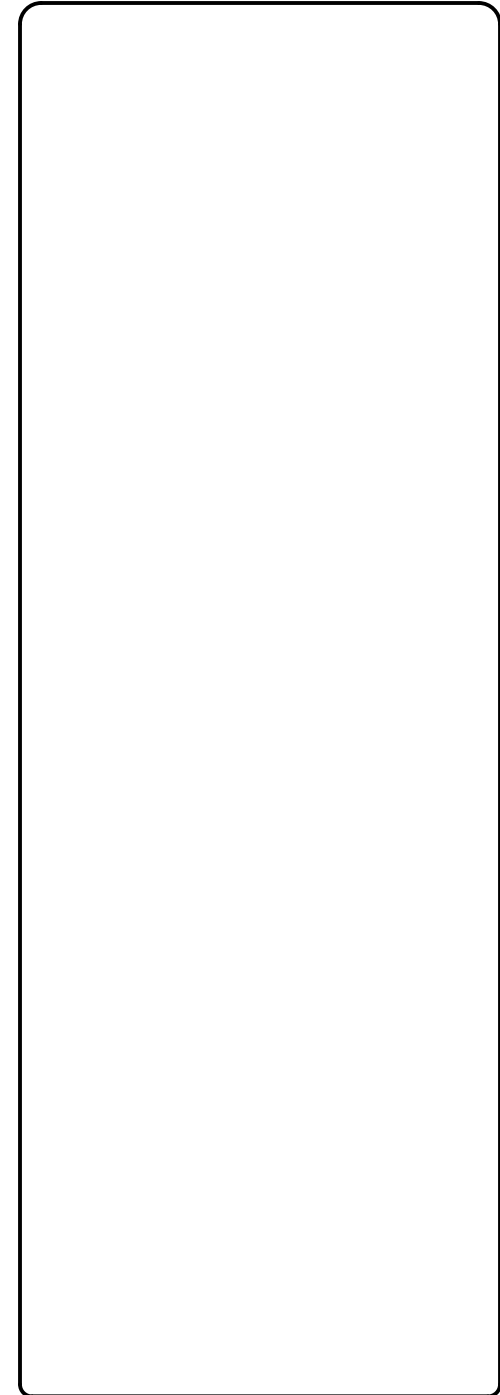
Top View



Front View



Right View

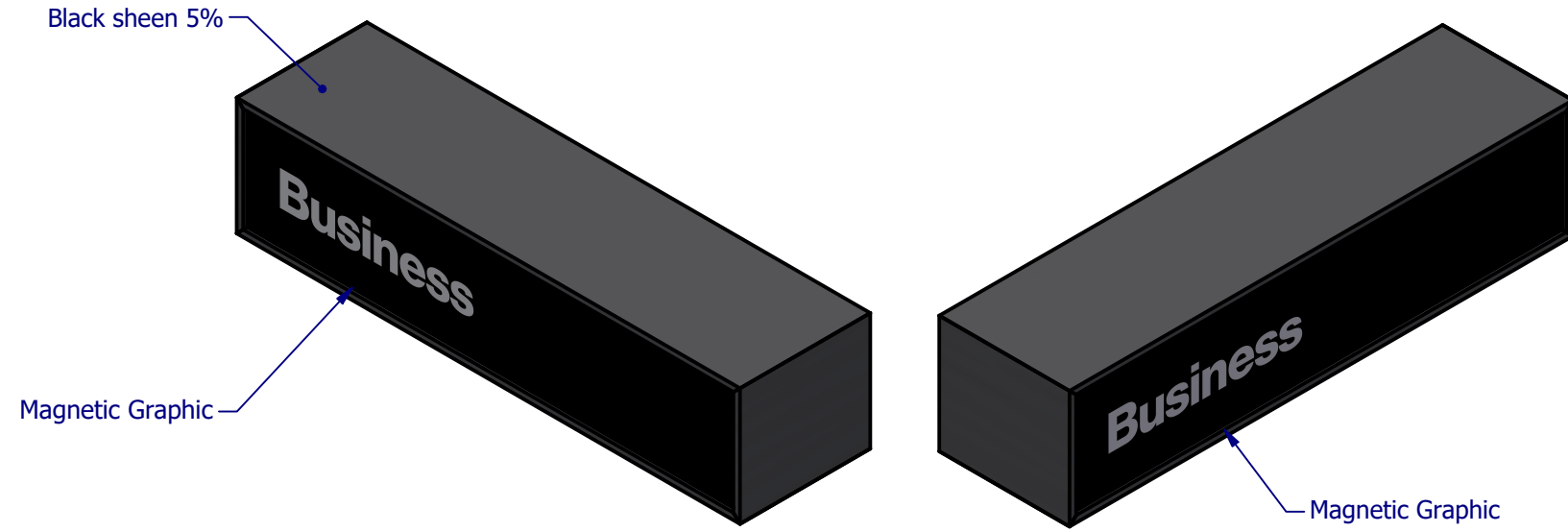


585 Western Blvd.
Turtle Lake, WI 54889
InfinityRetailServices.com

Part Name:	Wall Bay Wayfinder
Part No:	1413

Drawn By:	Josh	Date:	6/22/2024
Sheet:			
1 OF 1			

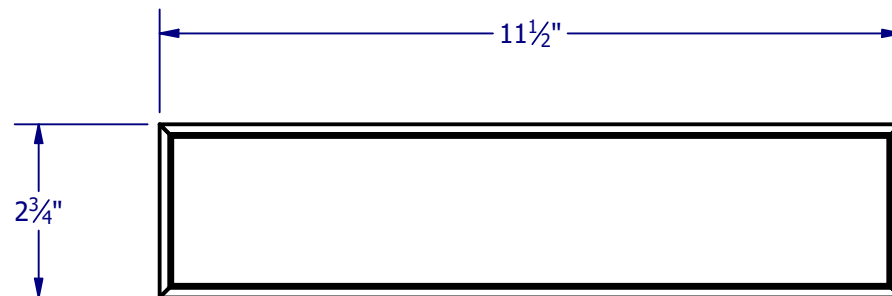
ISPU Wayfinder Text Options:



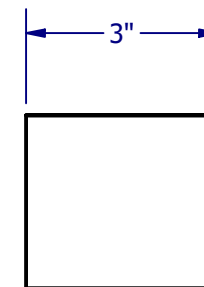
Isometric Views



Top View



Front View



Right View



585 Western Blvd.
Turtle Lake, WI 54889
InfinityRetailServices.com

Part Name: Aisle Fixture Wayfinder

Part No: 1414

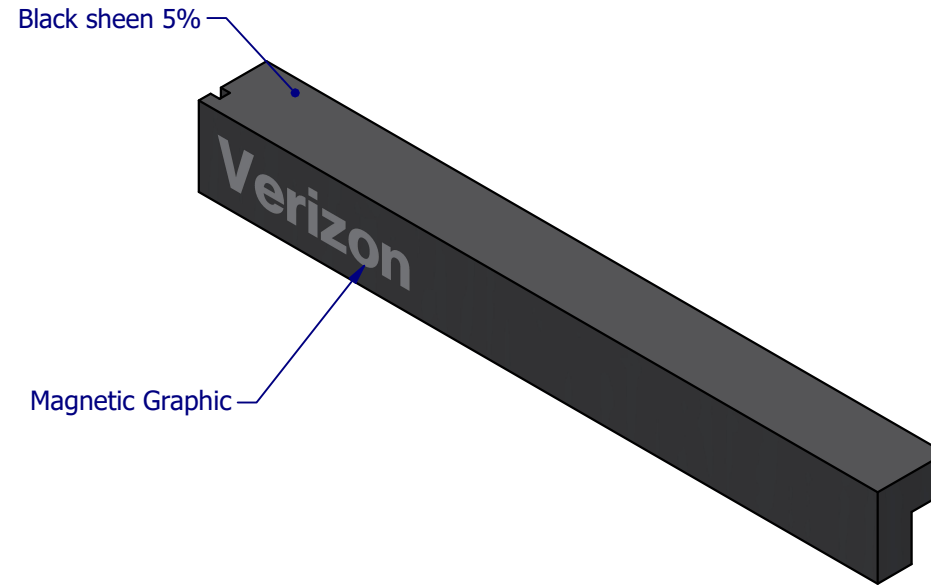
Drawn By: Josh Date: 6/22/2024

Sheet: 1 OF 1

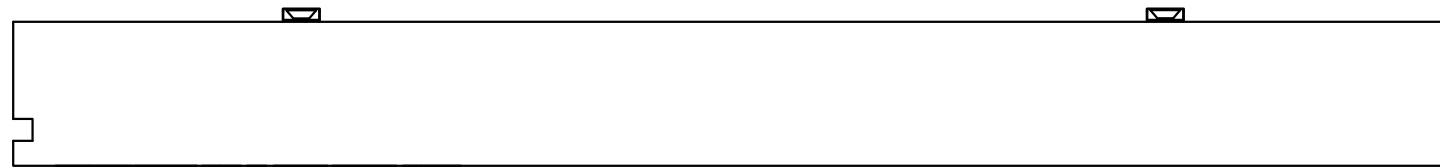
Device Rack Wayfinder Text

Options:

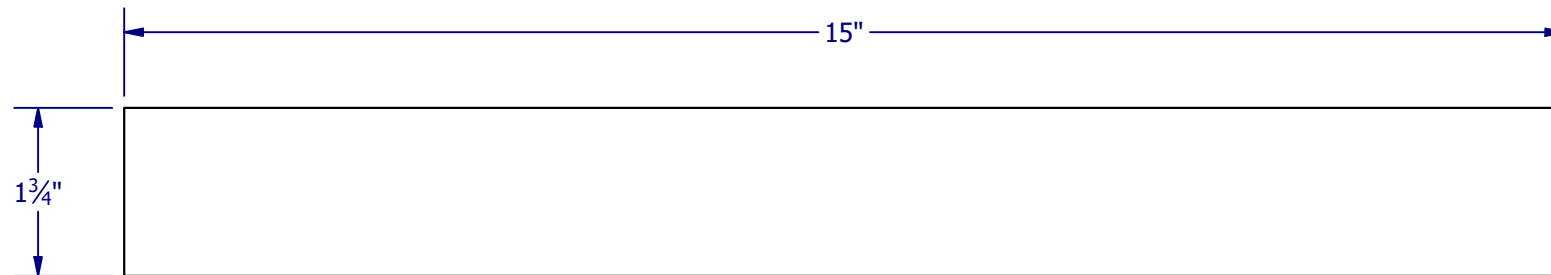
- 5G
- Apple
- Basic
- Google
- Motorola
- Prepaid
- Samsung
- Verizon



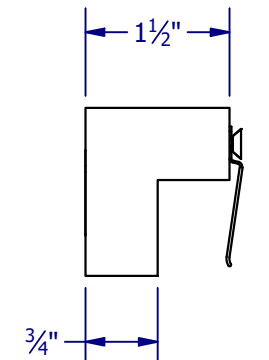
Isometric View



Top View



Front View



Right View



585 Western Blvd.
Turtle Lake, WI 54889
InfinityRetailServices.com

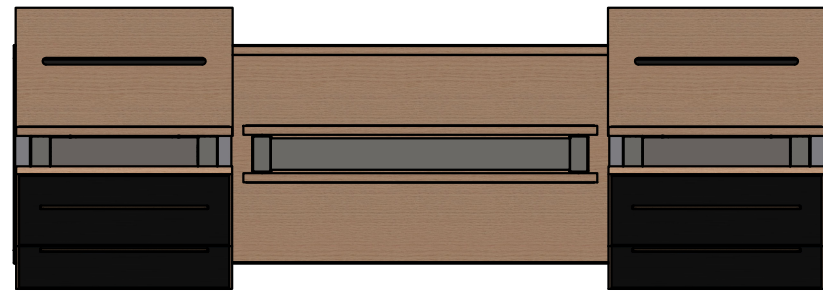
Part Name: Device Rack Wayfinder Assy.

Part No: 1415

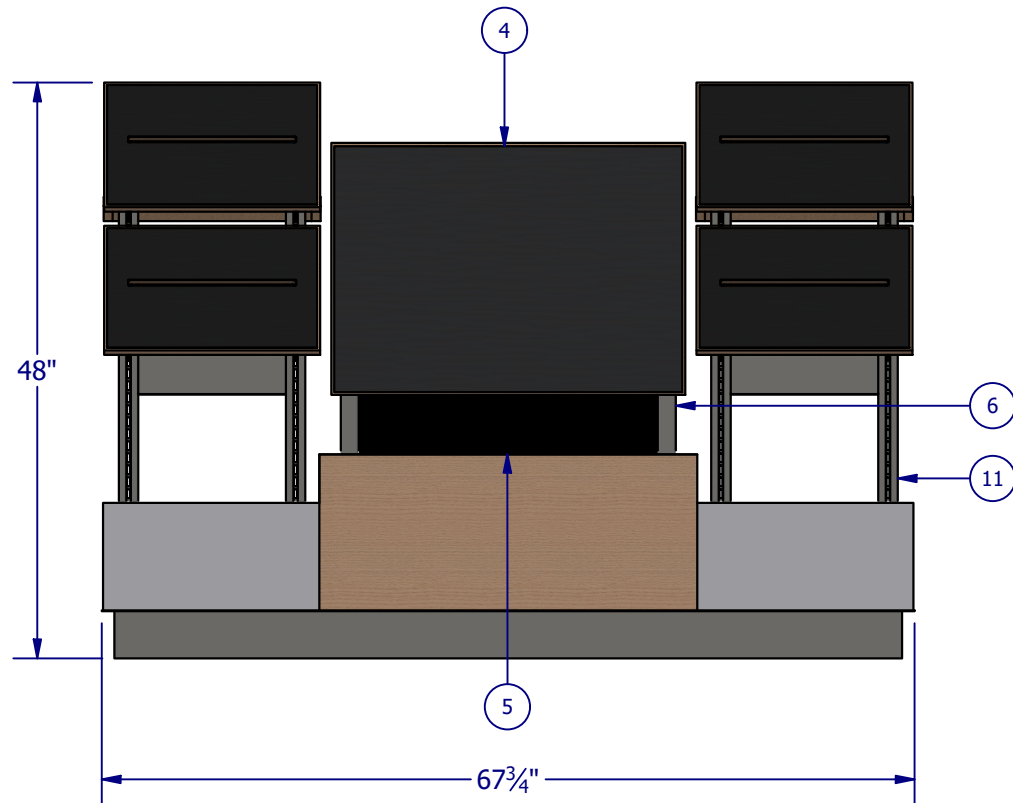
Drawn By: Josh Date: 6/22/2024

Sheet: 1 OF 1

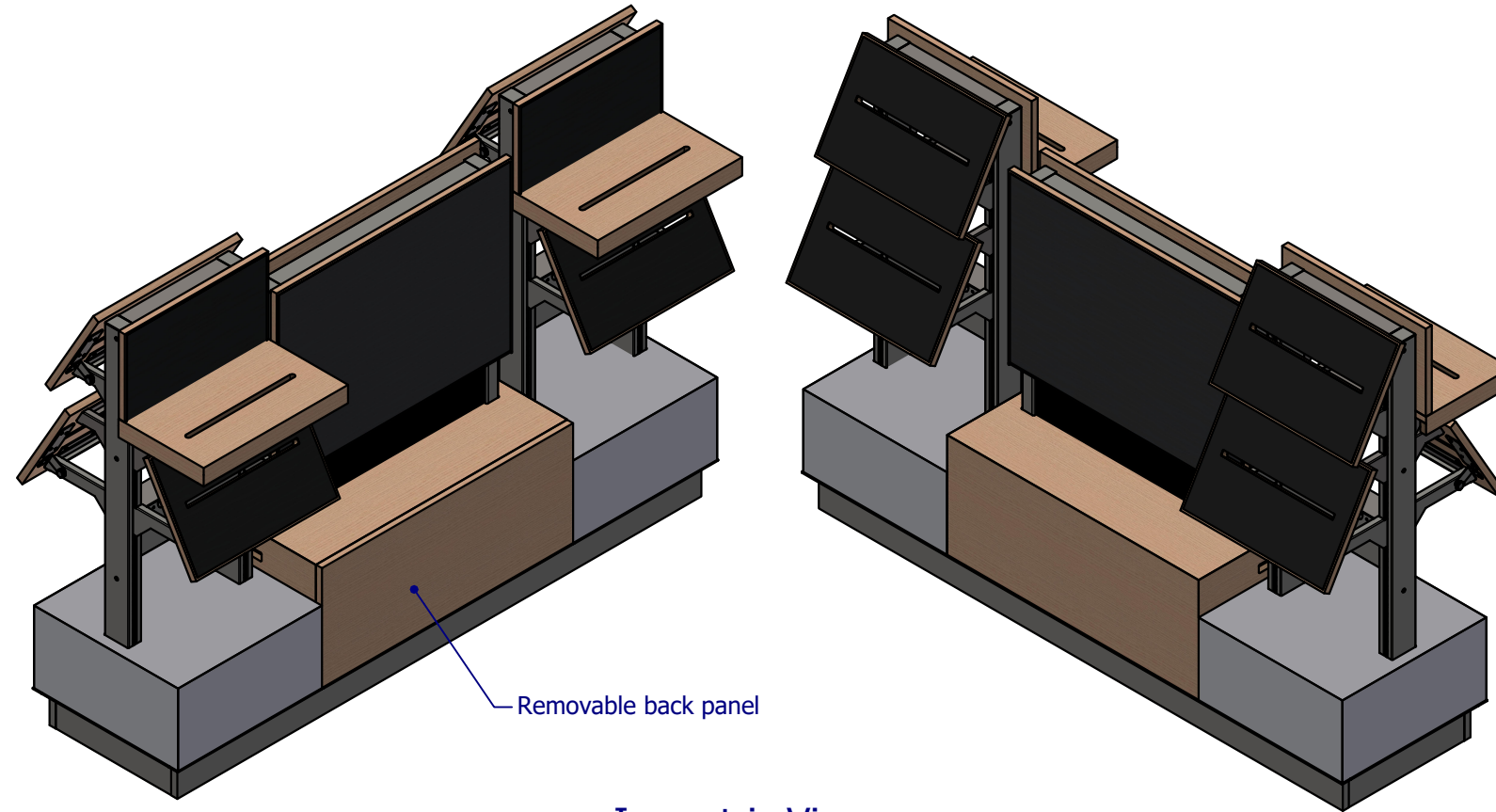
ITEM	QTY	DESCRIPTION
1	4	Shelf Knife Bracket
2	2	Flat Shelf Assembly
3	6	Angled Panel Assembly
4	2	Center Panel
5	2	Middle Panel
6	1	Narrow Spotlight Inner Frame
7	4	Lower Angled Panel Rest Bar
8	4	Lower Angled Panel Support Bar
9	2	Upper Angled Panel Support Bar
10	1	Lower Metal Edging
11	2	Narrow Spotlight Outer Frame
12	12	.25-20 x .625 In Thumb Screw Plastic Head Black



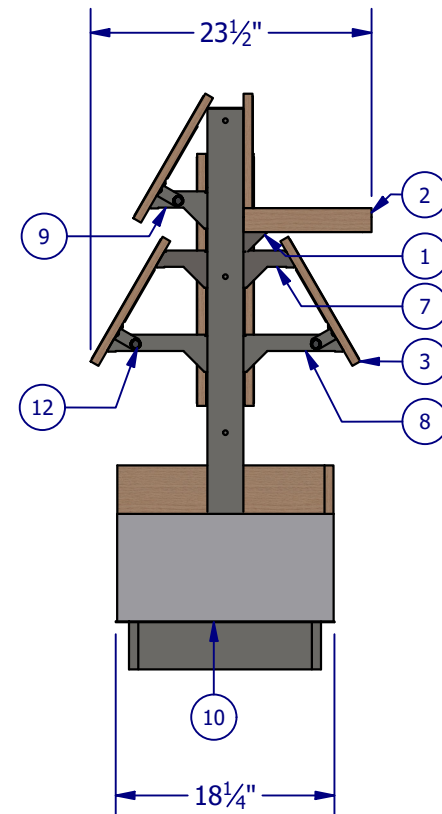
Top View



Front View



Isometric Views



Right View

Hardware Kit:
 (2) 1/2" x 1-1/2" Lag Screw
 (2) .375 x 3" Concrete Anchor
 (2) 1/2" Flat Washer
 (2) 1/2" Hex Nut



585 Western Blvd.
 Turtle Lake, WI 54889
 InfinityRetailServices.com

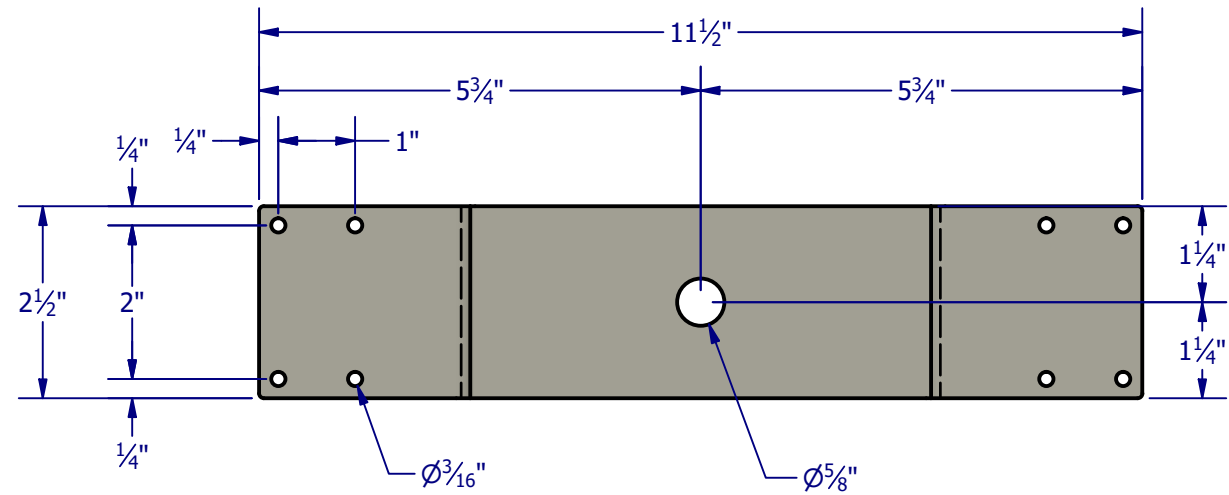
Part Name: **Narrow Spotlight**

Part No: **1426**

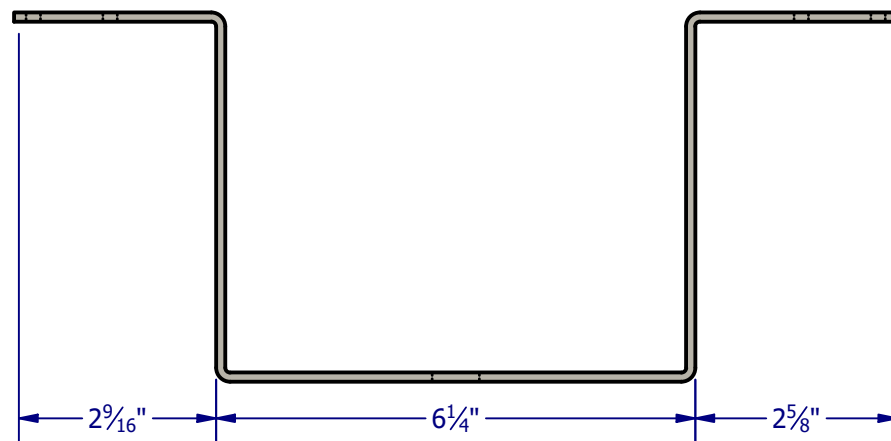
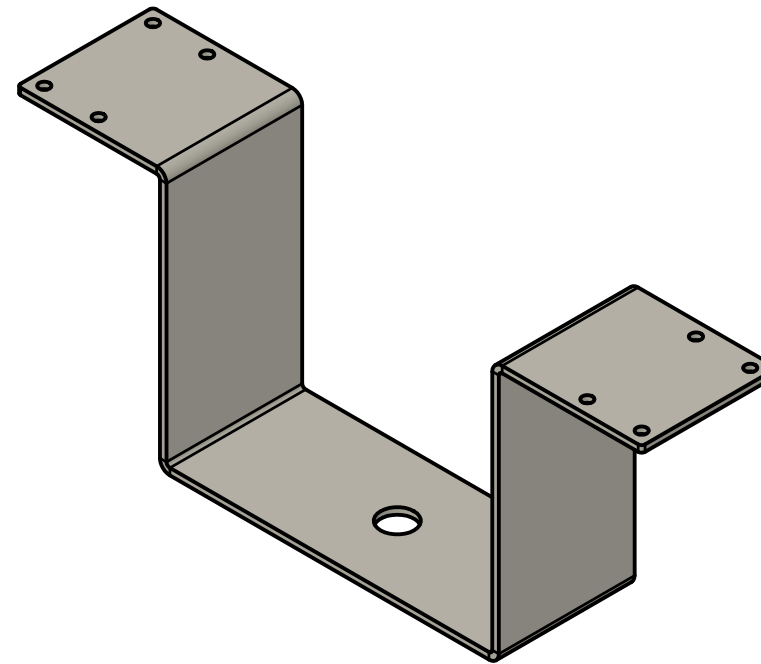
Drawn By: **Josh** Date: **6/20/2024**

Sheet:
1 OF 1

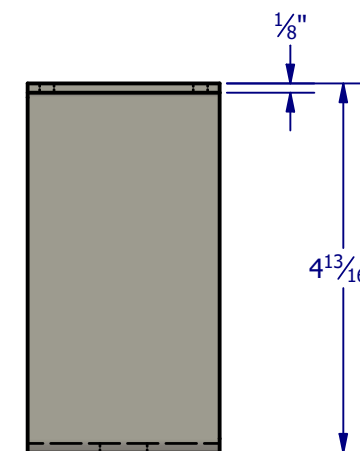
- Hardware Kit:**
 (1) 3/8" x 3" Long Concrete Wedge
 (32) #8 x 1" Steel Stud Screw



Top View



Front View



Right View



585 Western Blvd.
 Turtle Lake, WI 54889
 InfinityRetailServices.com

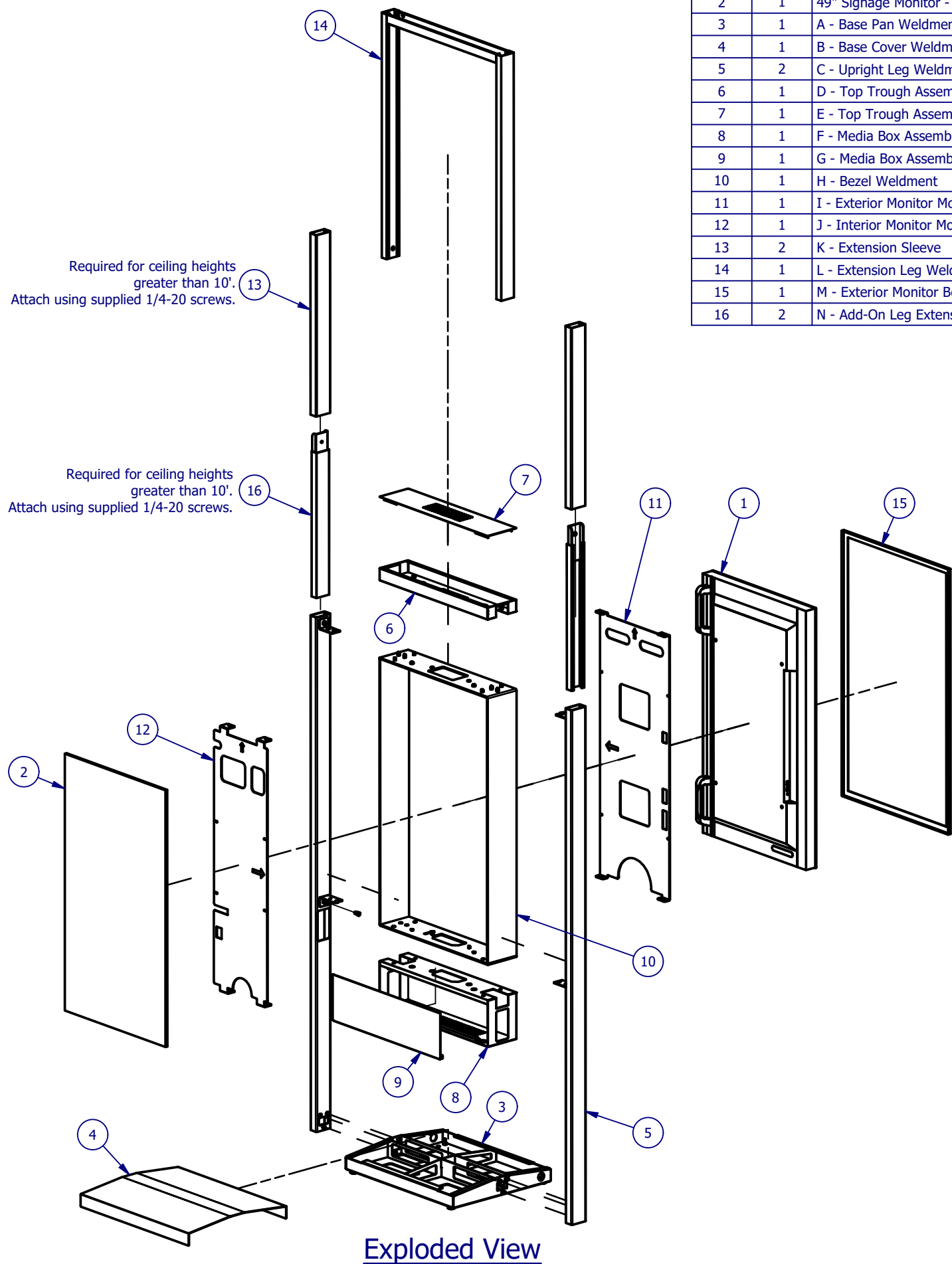
Part Name:
 Wall Bay Freestanding Anchor Bracket

Part No:
 1434

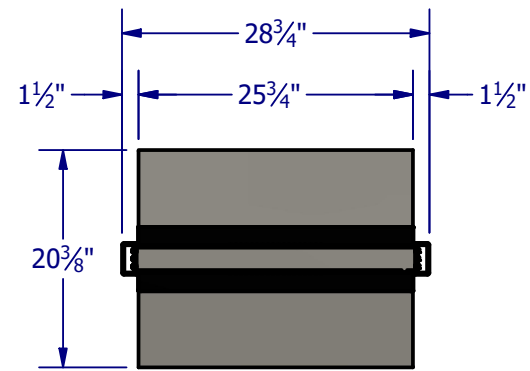
Drawn By:
 Josh

Date:
 6/21/2024

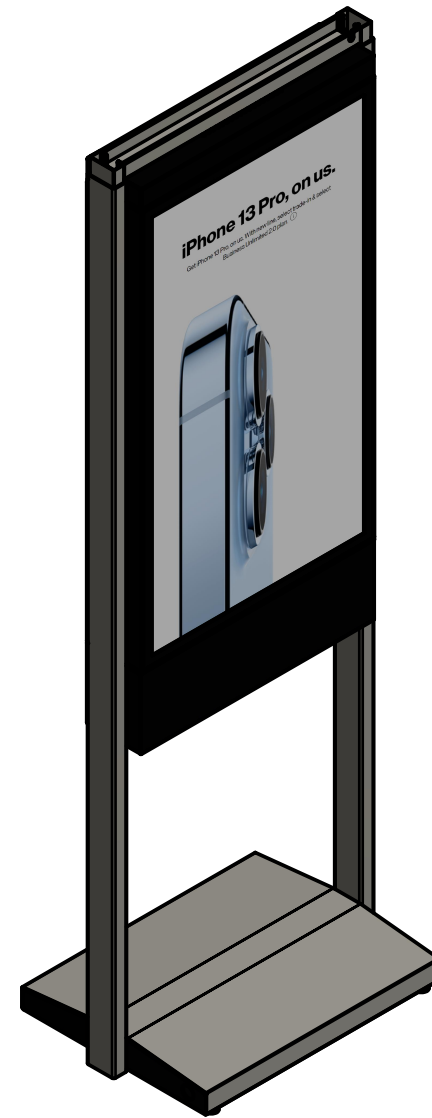
Sheet:
 1 OF 1



ITEM	QTY	DESCRIPTION
1	1	49" Signage Monitor - Exterior
2	1	49" Signage Monitor - Interior
3	1	A - Base Pan Weldment
4	1	B - Base Cover Weldment
5	2	C - Upright Leg Weldment
6	1	D - Top Trough Assembly (Box)
7	1	E - Top Trough Assembly (Cover)
8	1	F - Media Box Assembly (Box)
9	1	G - Media Box Assembly (Cover)
10	1	H - Bezel Weldment
11	1	I - Exterior Monitor Mount
12	1	J - Interior Monitor Mount
13	2	K - Extension Sleeve
14	1	L - Extension Leg Weldment
15	1	M - Exterior Monitor Bezel
16	2	N - Add-On Leg Extension



Top View



Minimum Height
7'-3"



Maximum Height
12'

Isometric Views

Electronics kit to include:

- (1) Exterior Brightsign LS424 Player
- (1) Interior Brightsign LS424 Player
- (2) 25' Ethernet Cable
- (1) 6' HDMI Cable
- (1) 7 Outlet Surge Protector with 15' Cord
- (2) 3 x 1 Yellow Labels (2x Interior Monitor HDMI)
- (2) 3 x 1 Yellow Labels (2x Exterior Monitor HDMI)
- (1) Instruction Set

1443 - Hardware Kit to include:

- (4) .375 x 3 In Concrete Anchor
- (8) M6 x 1.0 x 14mm Pan Head Screw
- (2) .25-20 x .625 In Flat Head Screw
- (2) .312-18 x .75 In Square Head Cup Point Set Screw
- (15) 6 In Black Cable Tie



585 Western Blvd.
Turtle Lake, WI 54889
InfinityRetailServices.com

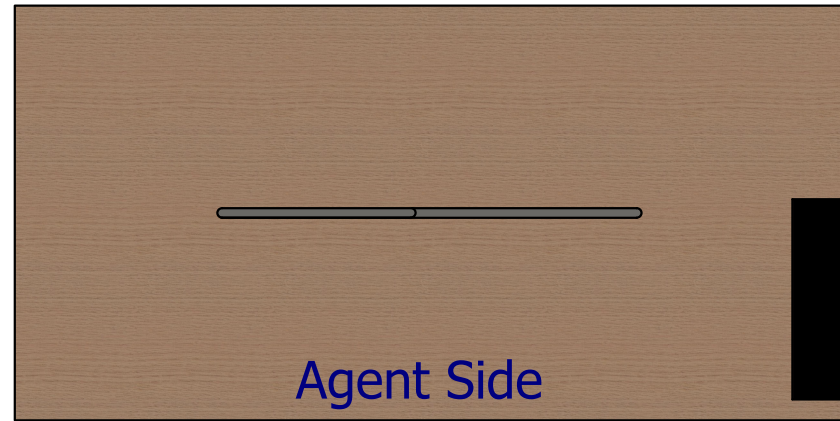
Part Name: Digital Window Display

Part No: 1443

Drawn By: Josh Date: 6/20/2024

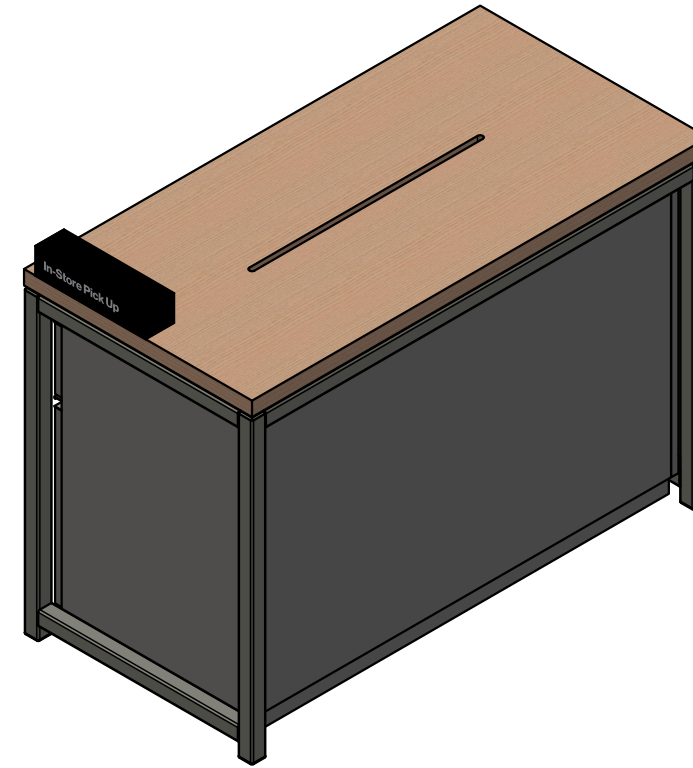
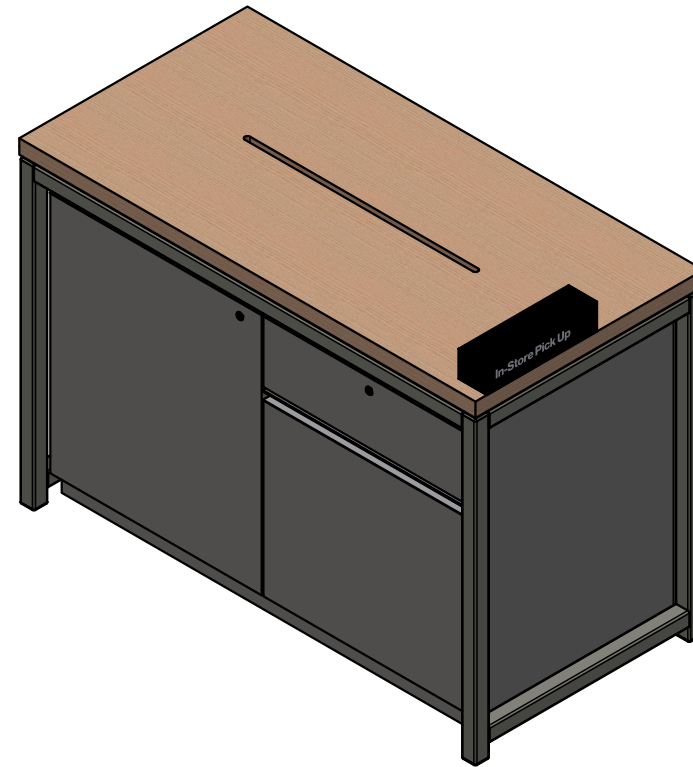
Sheet:
1 OF 1

ITEM	QTY	DESCRIPTION
1	1	Sales Floor Cabinet POS Frame
2	1	In-Store Pickup Cabinet Assembly
3	1	ISPU Top Assembly
4	1	APG Cash Drawer Till Assembly
5	4	1.5 In Square Poly Cap

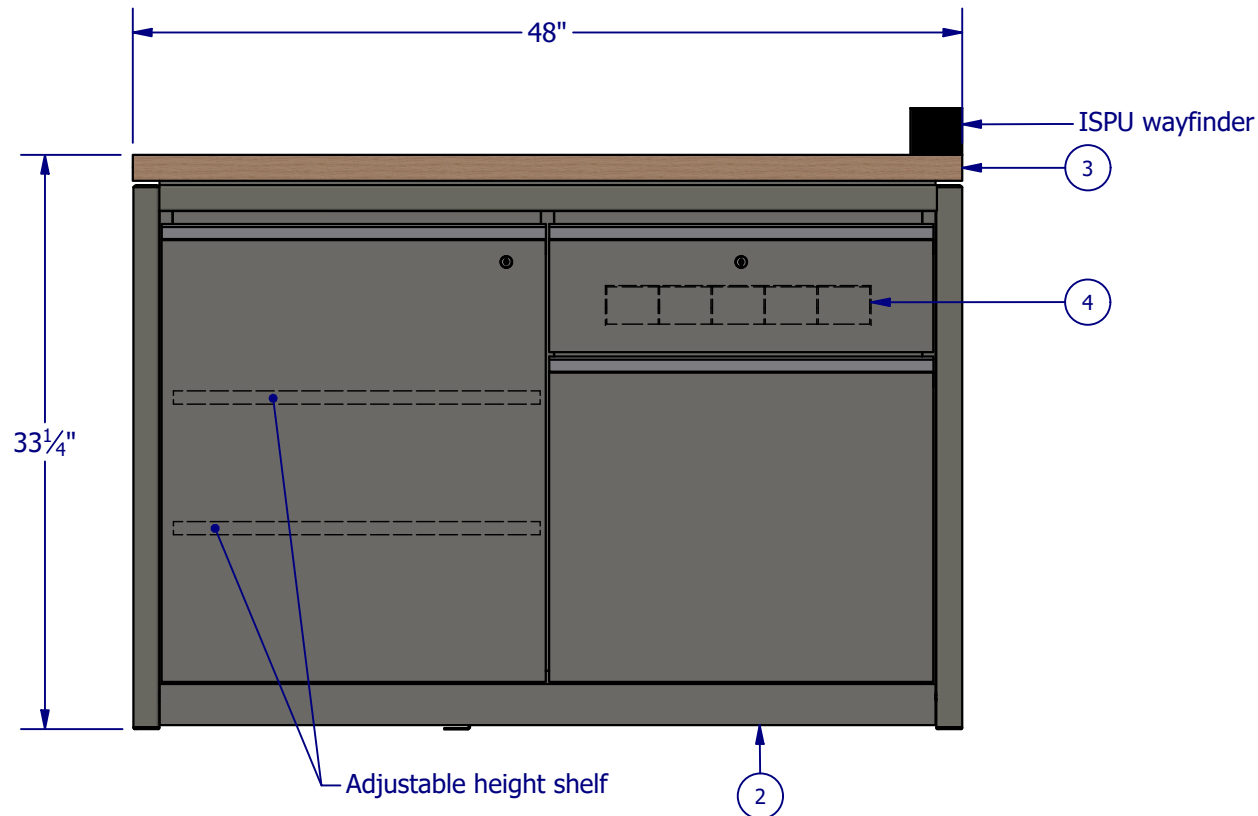


Agent Side

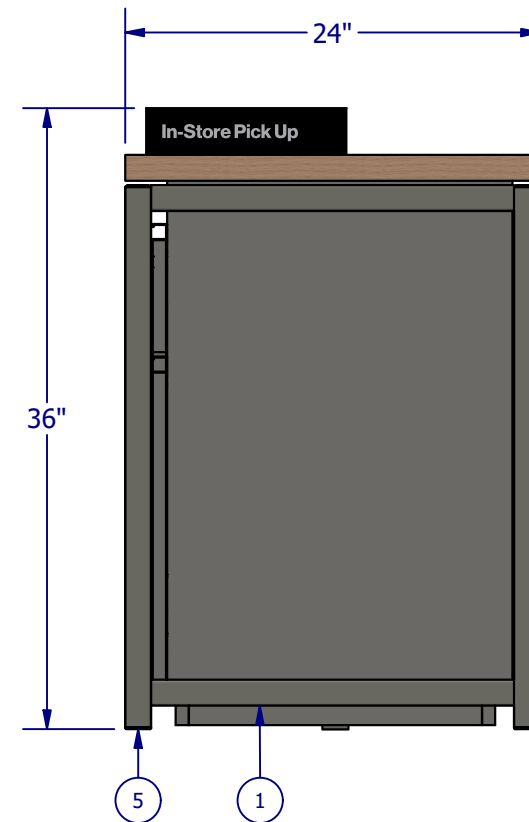
Top View



Isometric Views



Front View



Right View

- Hardware Kit:**
 (2) 1/2" x 1-1/2" Lag Screw
 (2) .375 x 3" Concrete Anchor
 (2) 1/2" Flat Washer
 (2) 1/2" Hex Nut



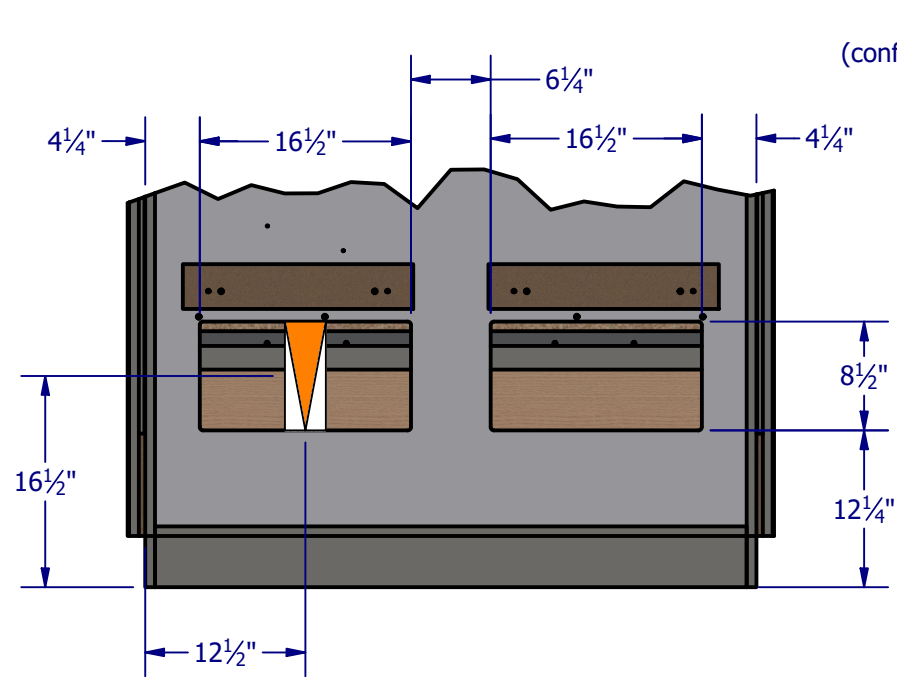
585 Western Blvd.
 Turtle Lake, WI 54889
 InfinityRetailServices.com

Part Name: ISPU (In Store Pick-Up)

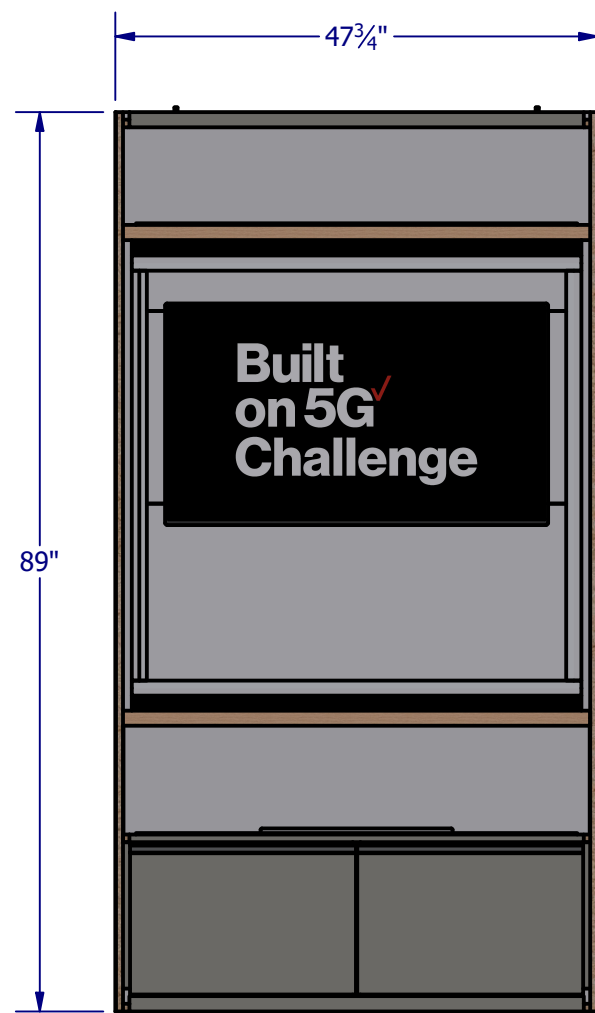
Part No: 1478

Drawn By: Josh Date: 6/20/2024

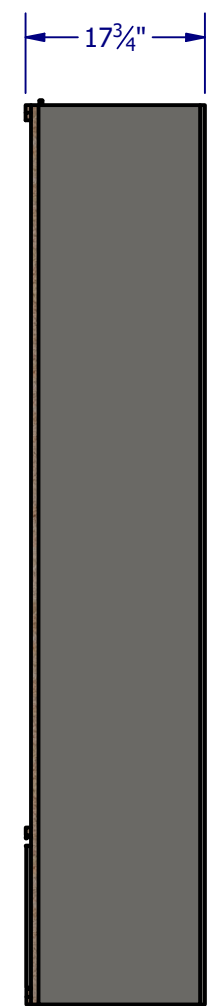
Sheet: 1 OF 1



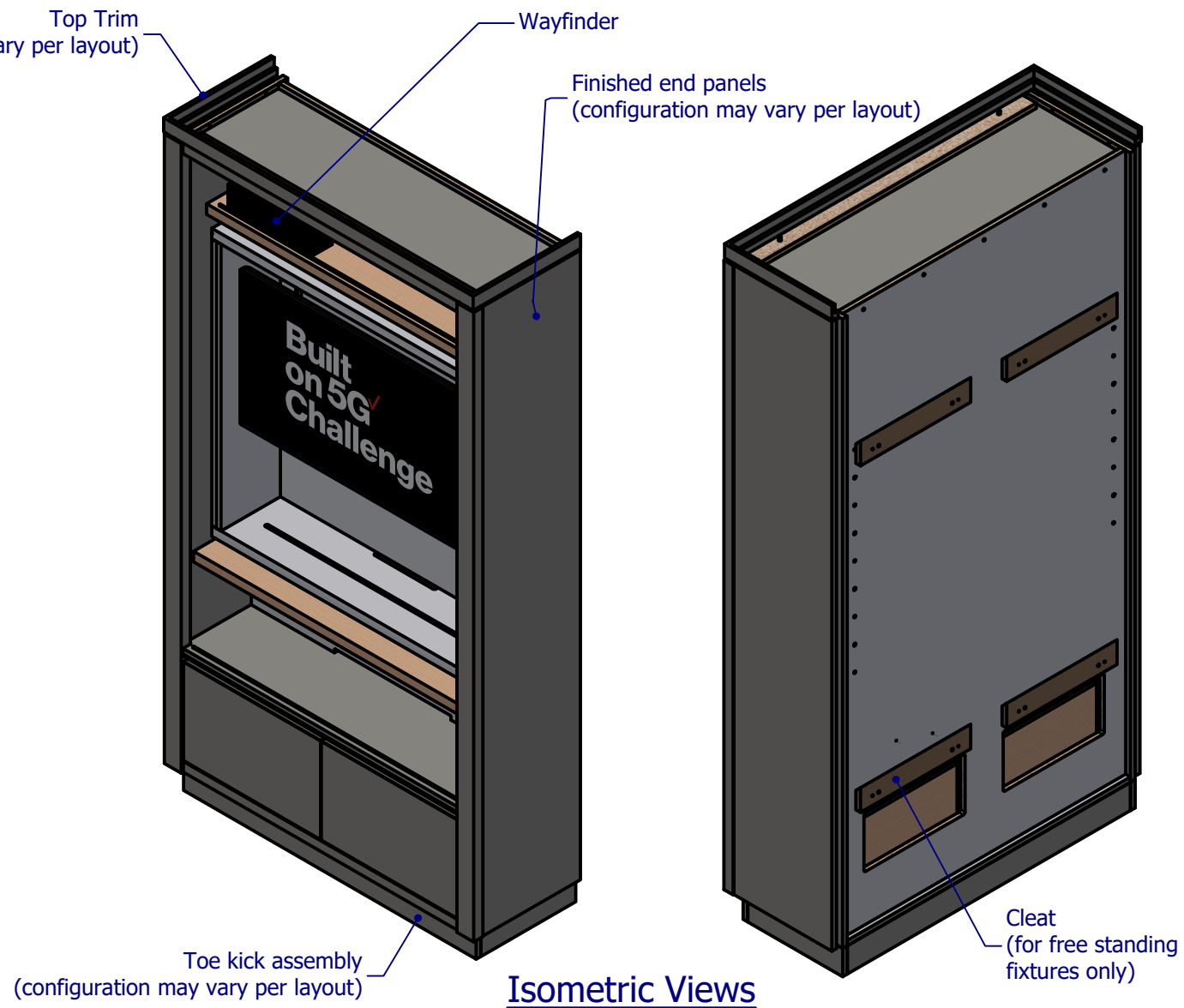
A (1 : 15)



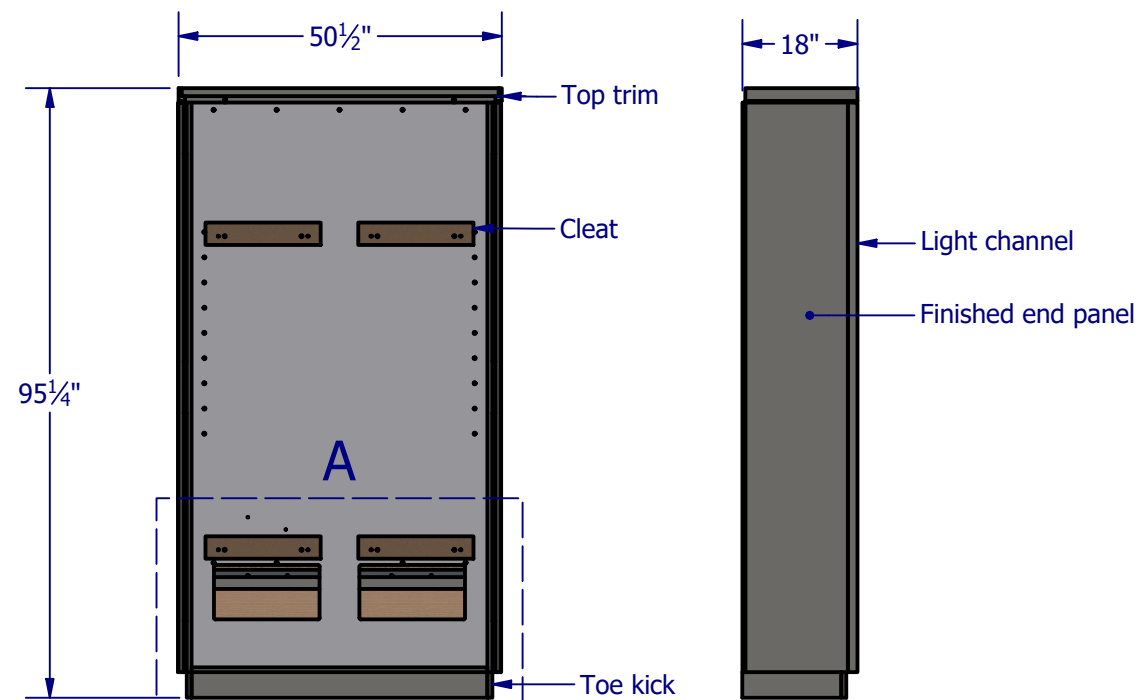
Front View



Right View



Isometric Views



Overall Dimensions

Hardware Kit:
 (6) #8 x 3" Flat Head Screw
 (10) #8 x 1.25" Flat Head Screw
 (2) 5x24mm Steel Dowel



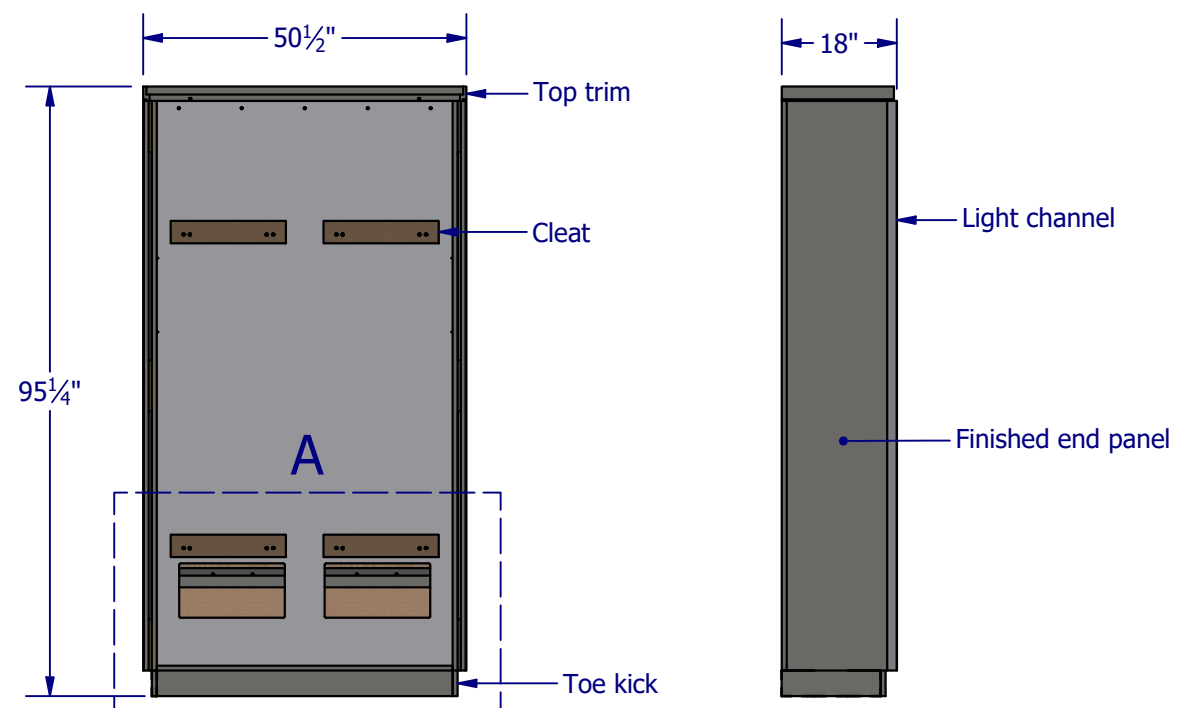
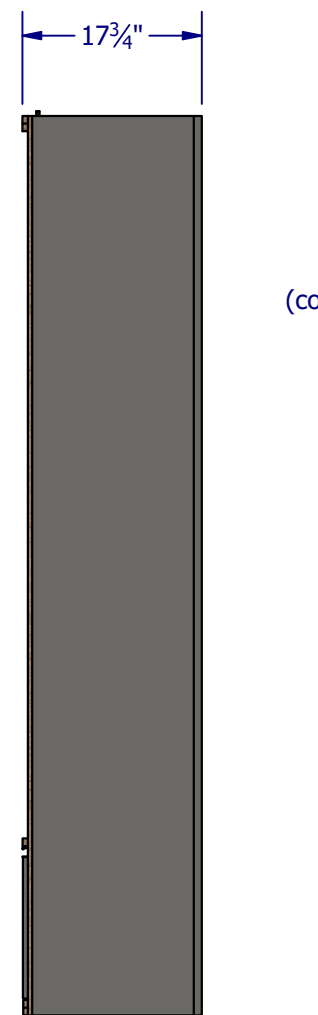
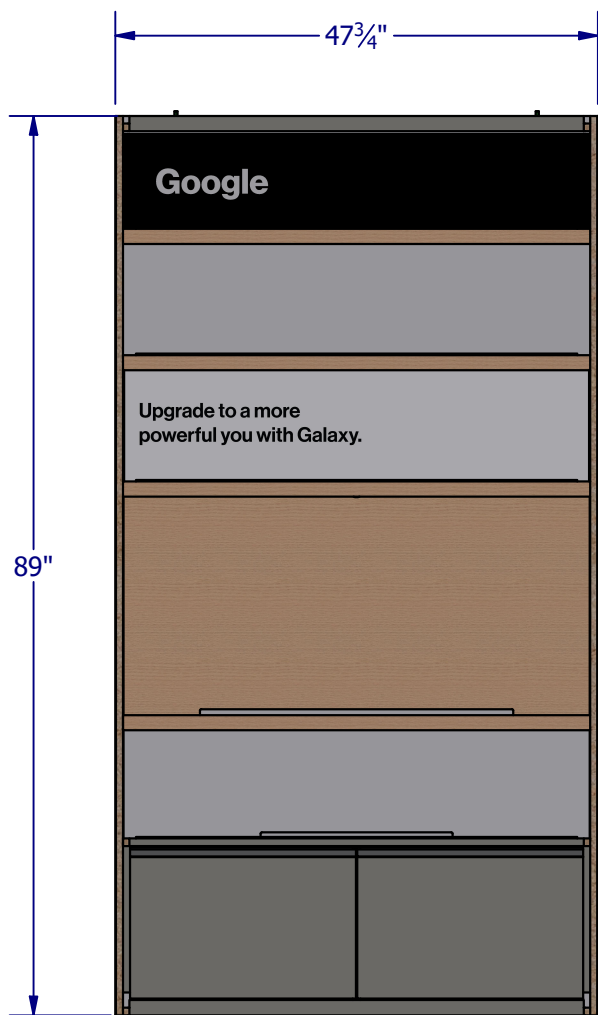
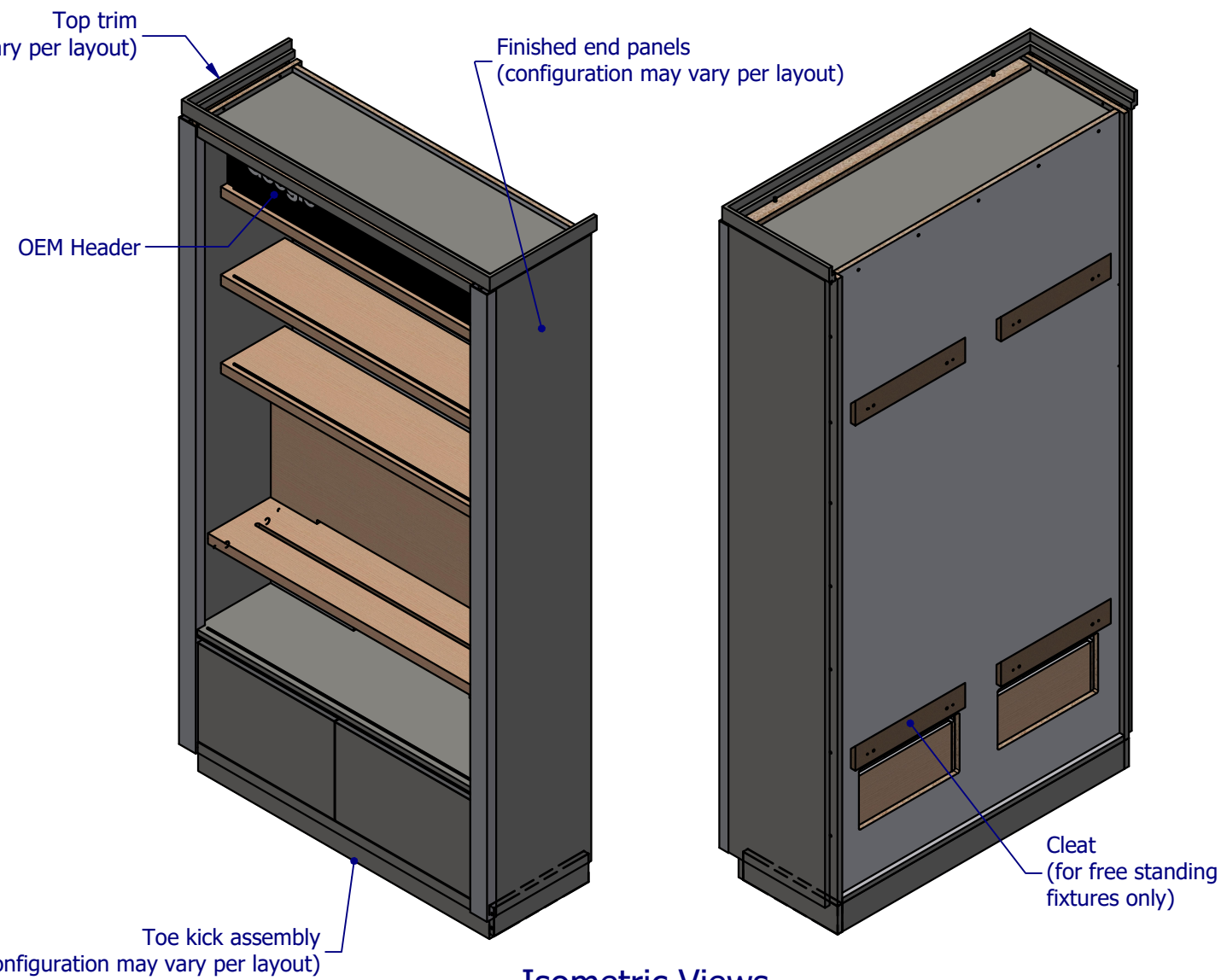
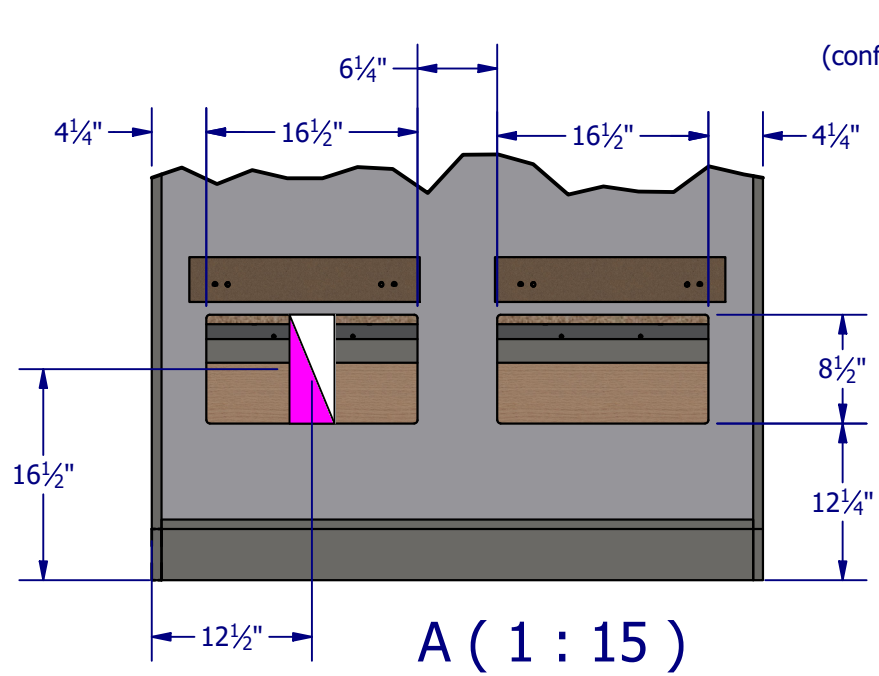
585 Western Blvd.
 Turtle Lake, WI 54889
 InfinityRetailServices.com

Part Name: 4Ft VZ Entertainment

Part No: 1508

Drawn By: Josh Date: 6/20/2024

Sheet: 1 OF 1



Hardware Kit:
 (6) #8 x 3" Flat Head Screw
 (10) #8 x 1.25" Flat Head Screw
 (2) 5x24mm Steel Dowel

INFINITY
 RETAIL SERVICES
 585 Western Blvd.
 Turtle Lake, WI 54889
 InfinityRetailServices.com

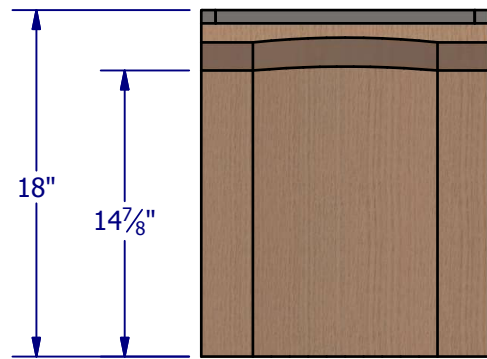
Part Name: NextGen 4' OEM Wall Bay

Part No: 1532

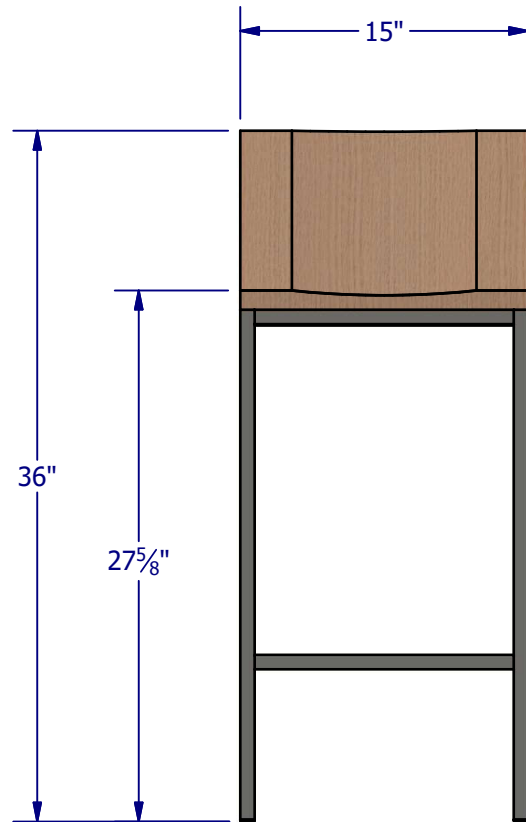
Drawn By: Josh Date: 6/20/2024

Sheet: 1 OF 1

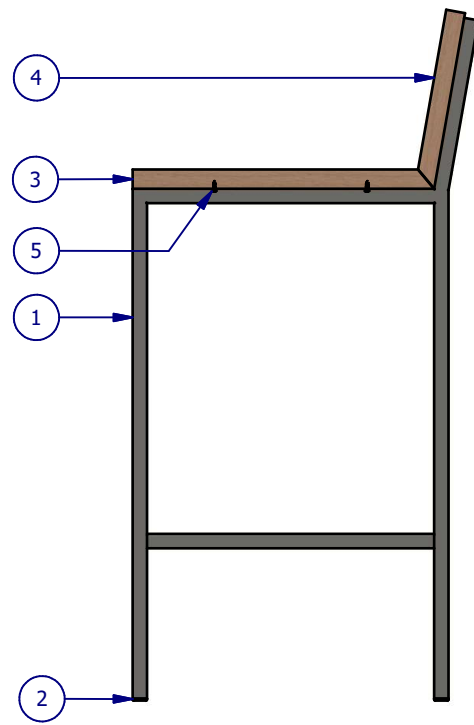
ITEM	QTY	DESCRIPTION
1	1	Metal Frame Assembly
2	4	.75 In Square Poly End Cap
3	1	Seat
4	1	Back Rest
5	6	# 6 x .5 In Pan Head SM ZP



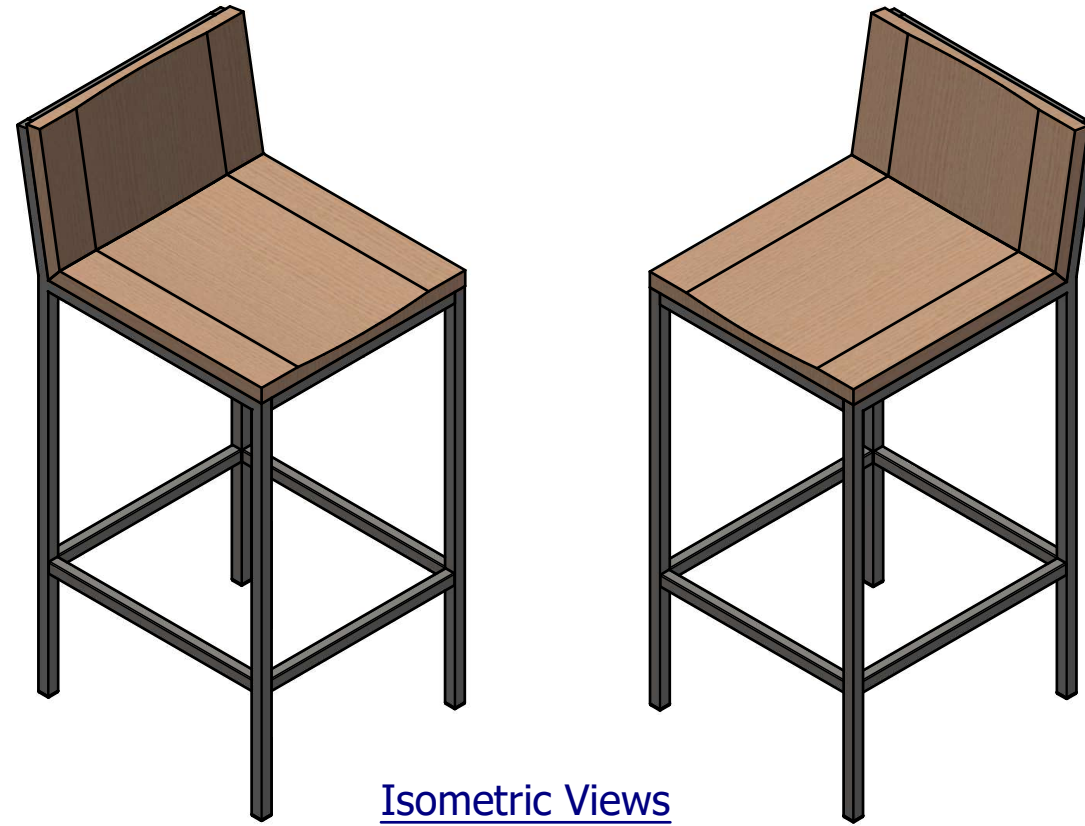
Top View



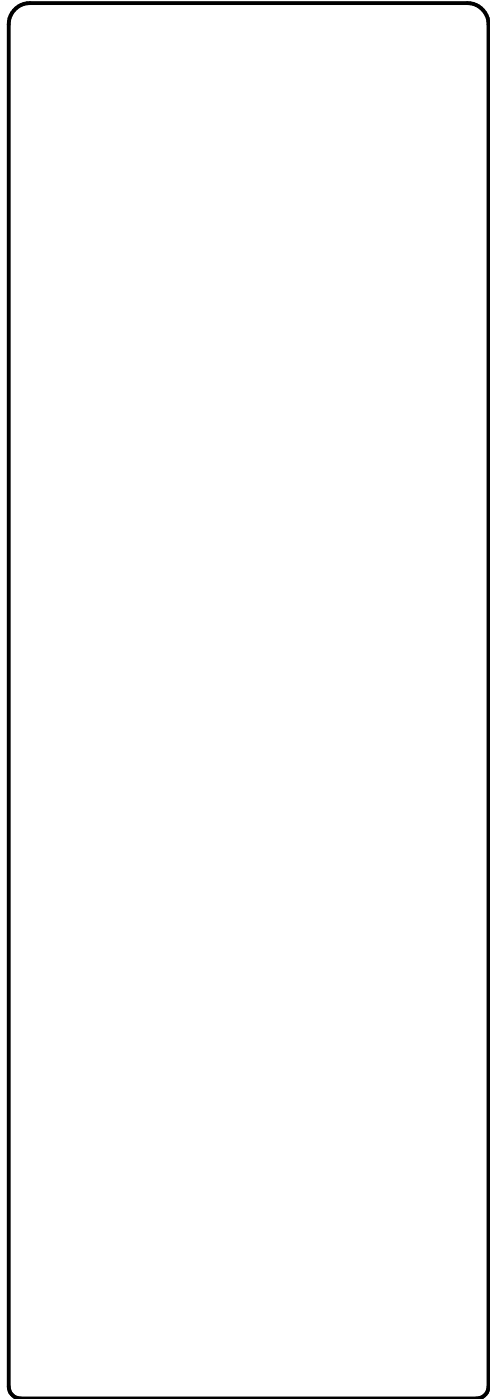
Front View



Right View



Isometric Views



585 Western Blvd.
Turtle Lake, WI 54889
InfinityRetailServices.com

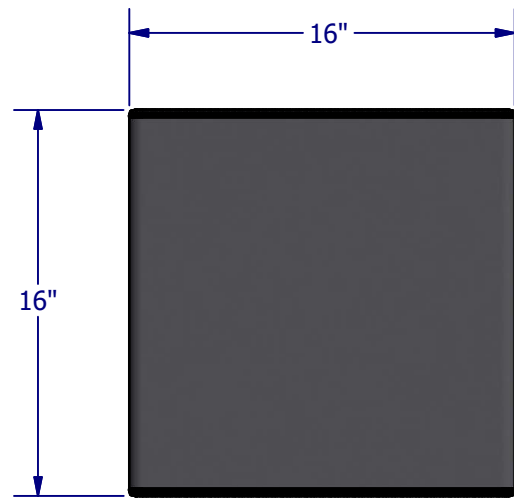
Part Name:
Collaboration Stool - With Back

Part No:
1544

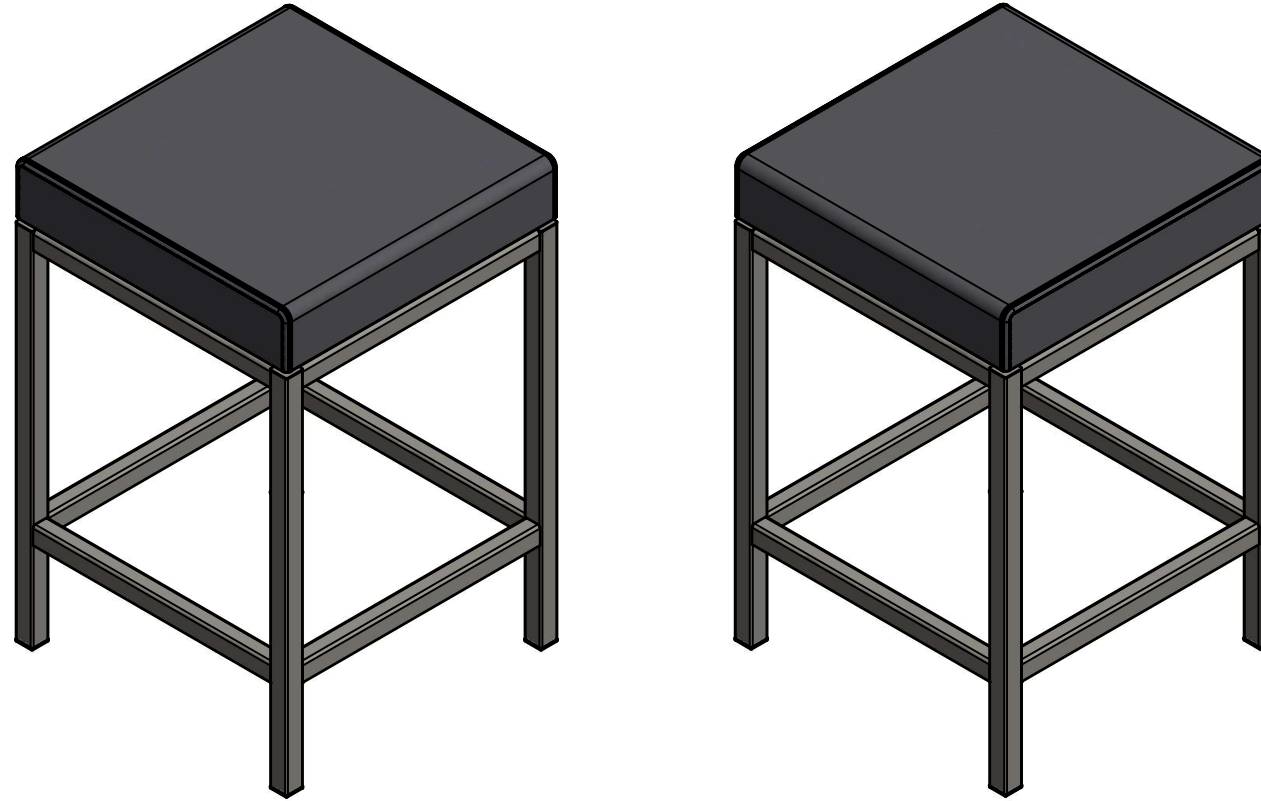
Drawn By: Josh Date: 3/21/2024

Sheet:
1 OF 1

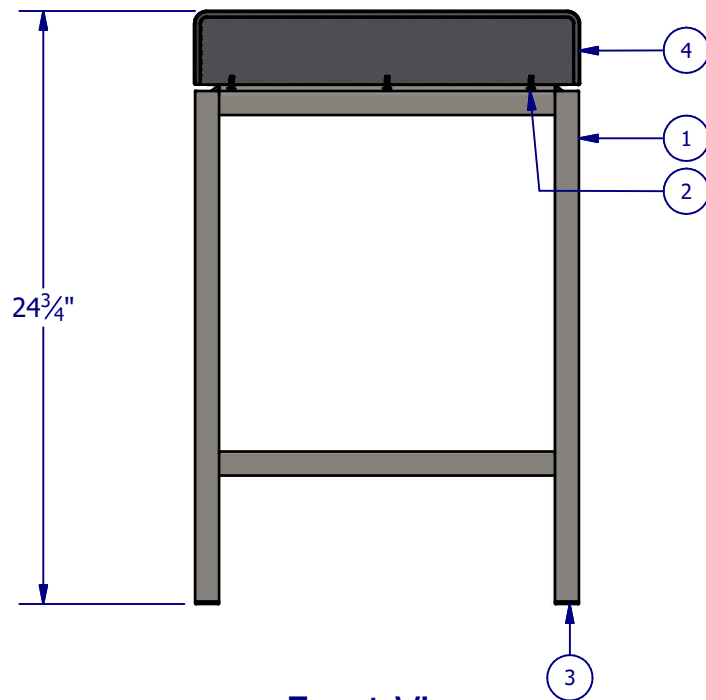
ITEM	QTY	DESCRIPTION
1	1	POS Stool Frame
2	12	#10 x 0.5 In Round Head Blunt SM Screw BLK
3	4	1.0 In Square Poly End Cap
4	1	Padded Cushion



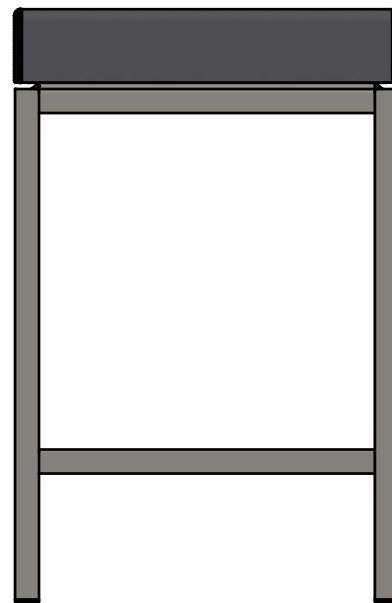
Top View



Isometric Views



Front View



Right View



585 Western Blvd.
Turtle Lake, WI 54889
InfinityRetailServices.com

Part Name: POS Padded Stool

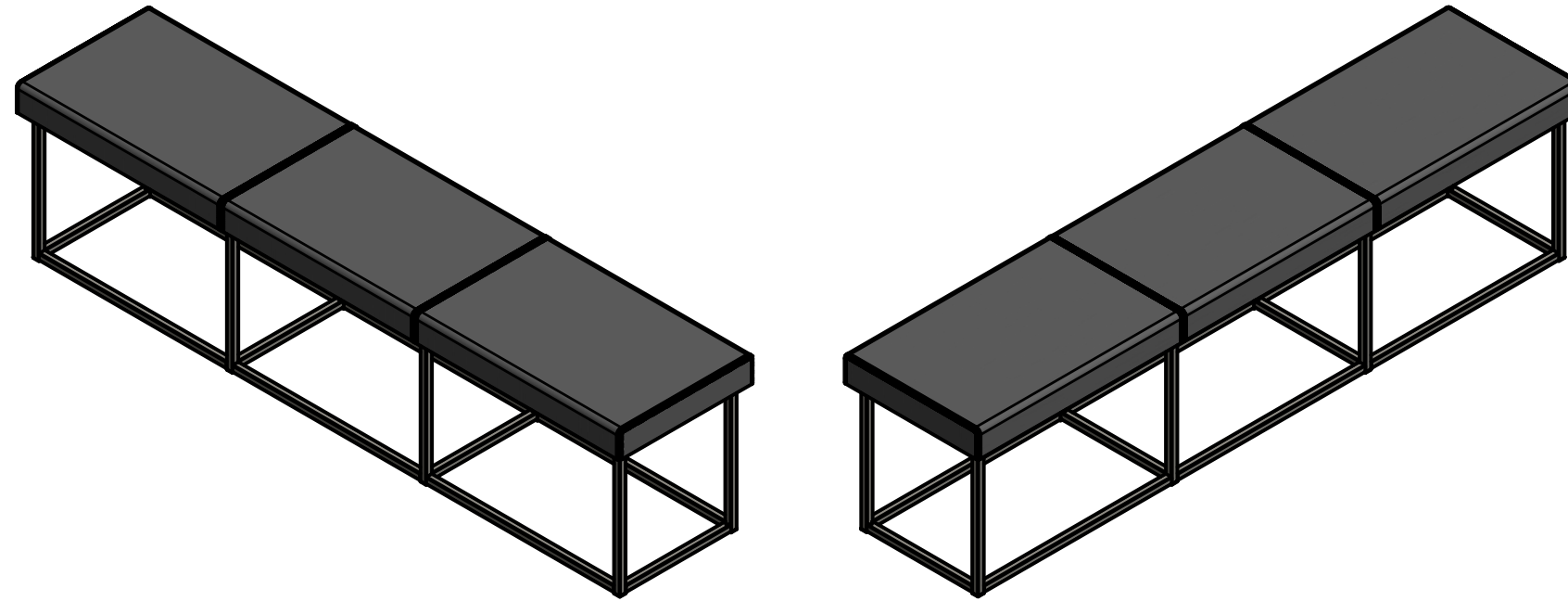
Part No: 1756

Drawn By: Josh

Date: 3/21/2024

Sheet:
1 OF 1

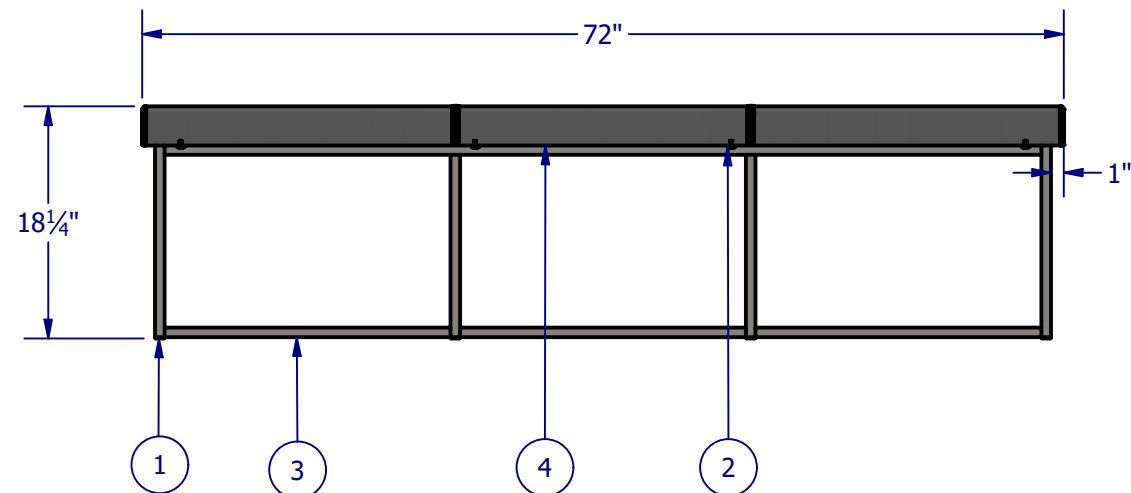
ITEM	QTY	DESCRIPTION
1	8	.75 In Square Poly End Cap
2	8	.25-20 x .75 In Truss Head Screw SS
3	1	Bench Frame
4	1	Bench Cushion



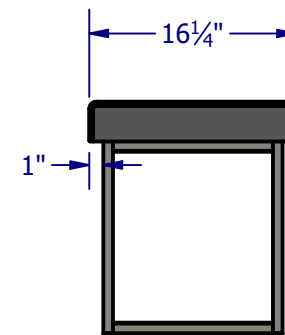
Isometric Views



Top View



Front View



Right View



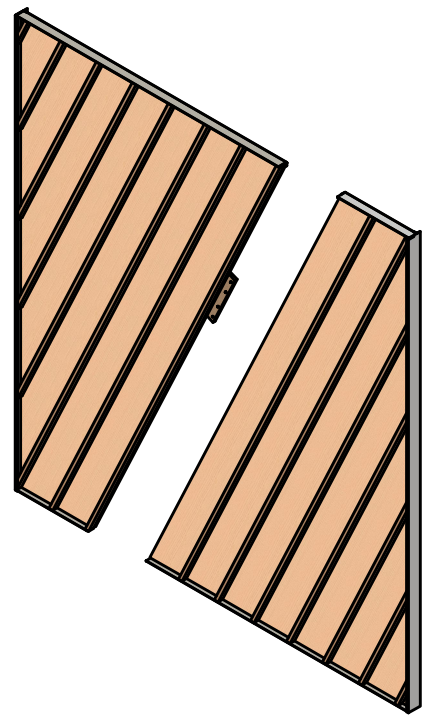
585 Western Blvd.
Turtle Lake, WI 54889
InfinityRetailServices.com

Part Name:
6 Ft Padded Bench

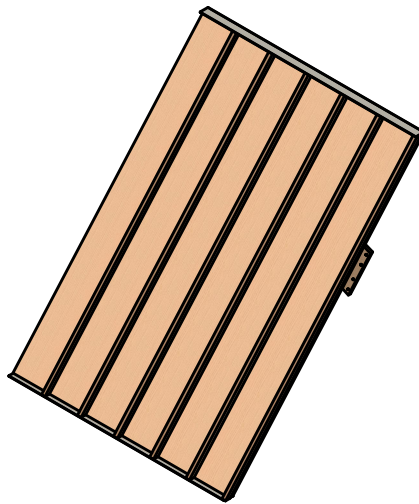
Part No:
1909

Drawn By: Josh Date: 6/22/2024

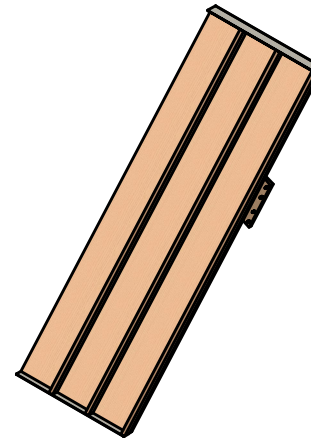
Sheet:
1 OF 1



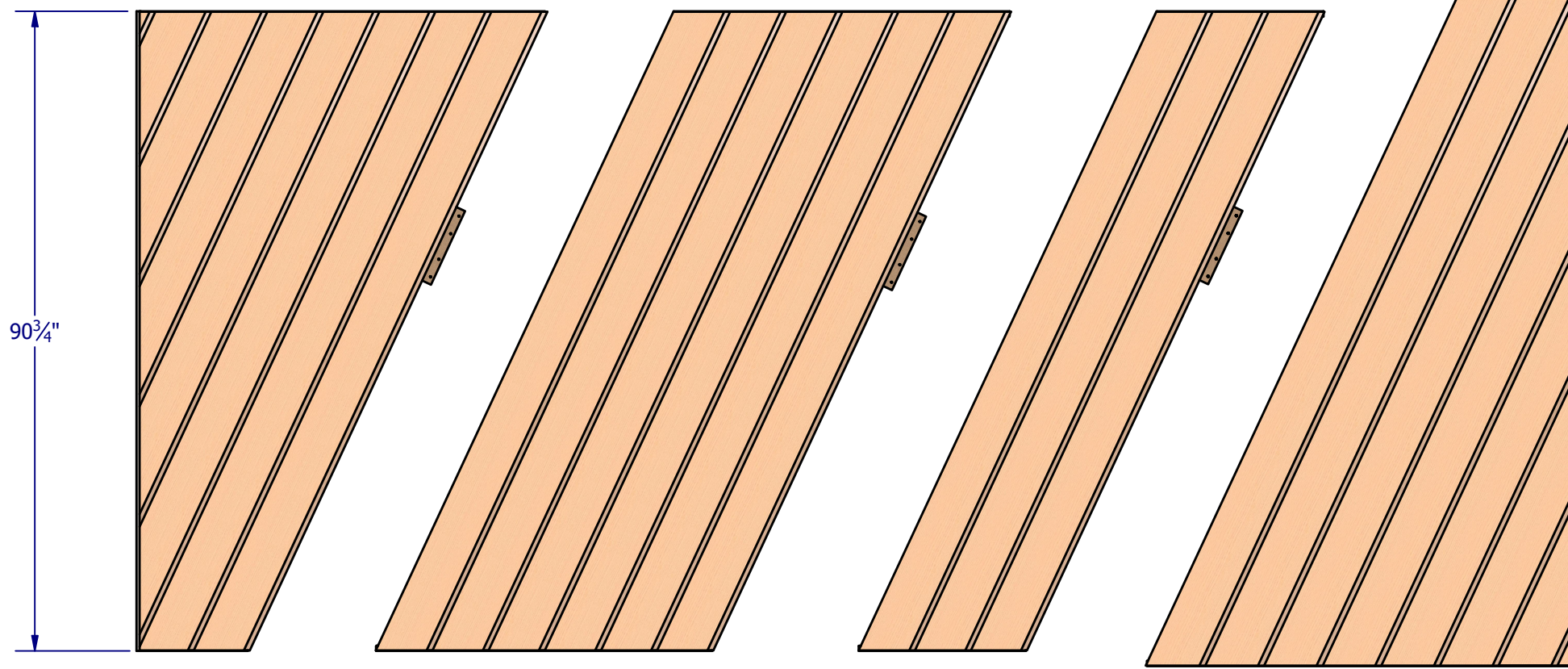
6' Starter Kit



4' Add-on



2' Add-on

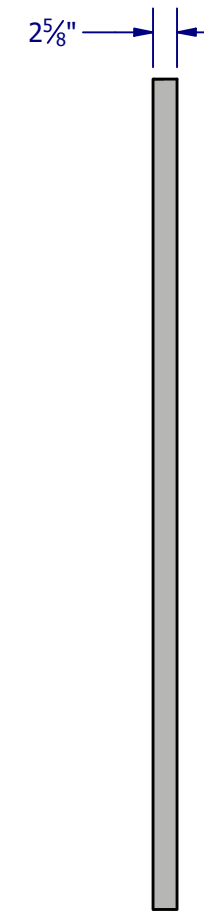


1422
Brand Wall
6' Starter - Left Panel

1424
4' Brand Wall
Add-on

1423
2' Brand Wall
Add-on

1422
Brand Wall
6' Starter - Right Panel



Right View

Hardware Kit for 6' Starter:
(6) Wood Cleats
(20) #8 x 2.5" Steel Stud Screw

Hardware Kit for 4' Add-on:
(2) Wood Cleats
(6) #8 x 2.5" Steel Stud Screw

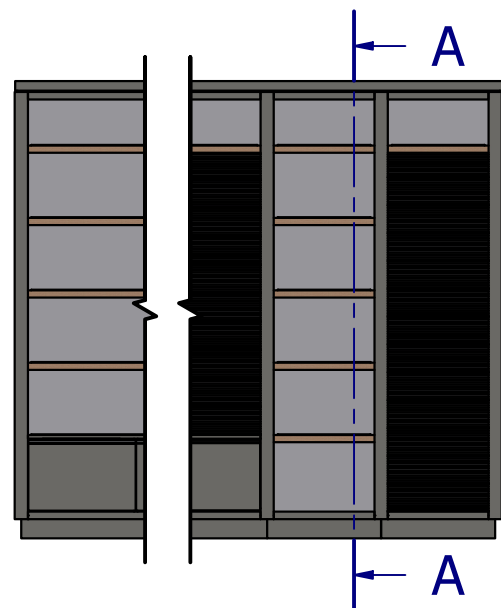
Hardware Kit for 2' Add-on:
(4) Wood Cleats
(10) #8 x 2.5" Steel Stud Screw



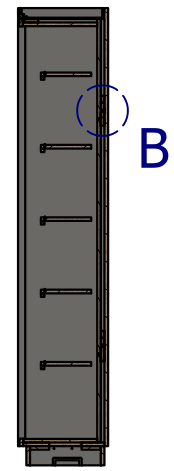
585 Western Blvd.
Turtle Lake, WI 54889
InfinityRetailServices.com

Part Name:	Brand Wall
Part No:	1422-1423

Drawn By:	Josh	Date:	1/3/2022
Sheet:		1 OF 2	

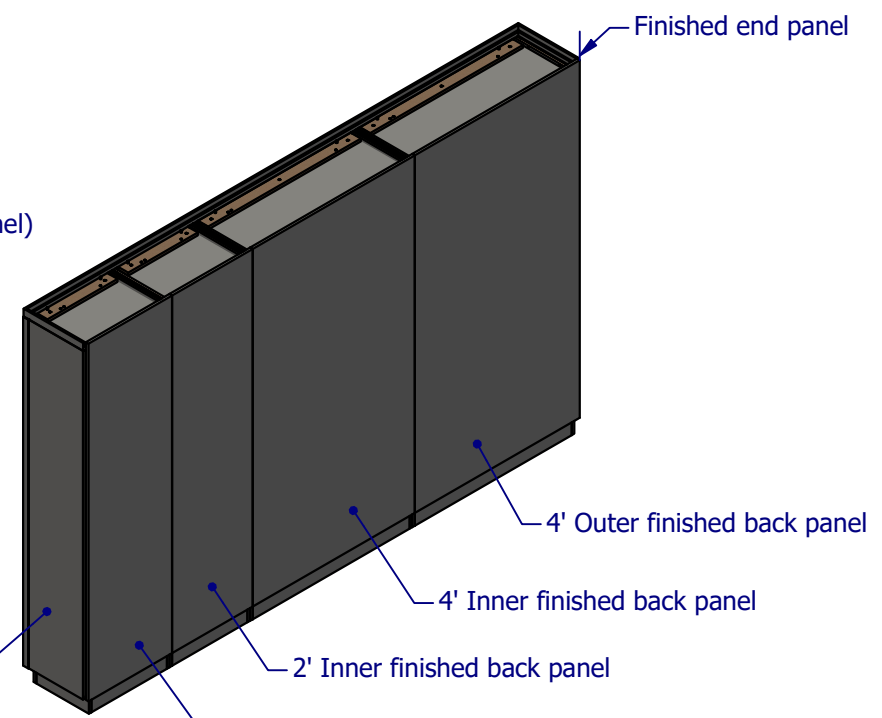
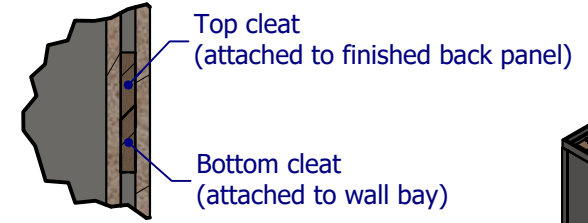


Front View



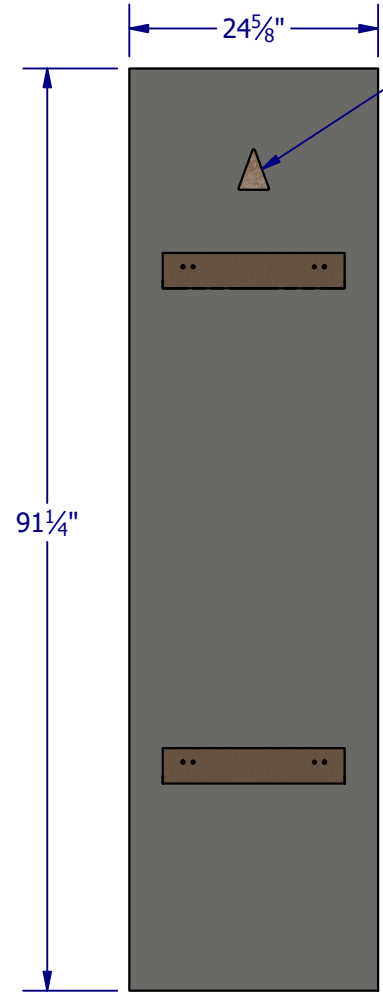
A-A (1 : 40)

B (1 : 10)

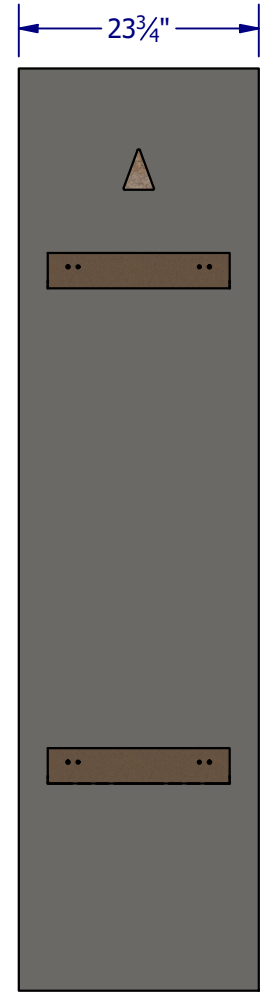


Finished end panel

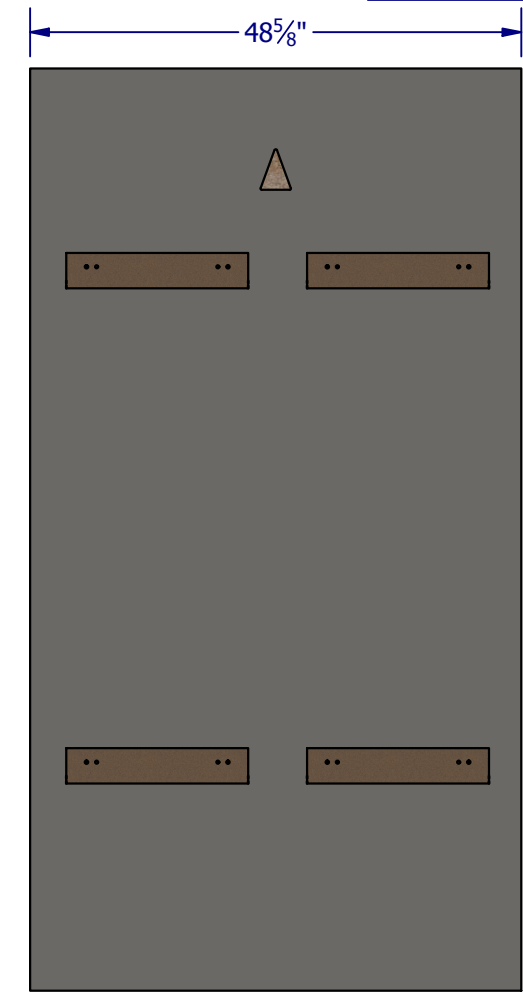
Isometric View



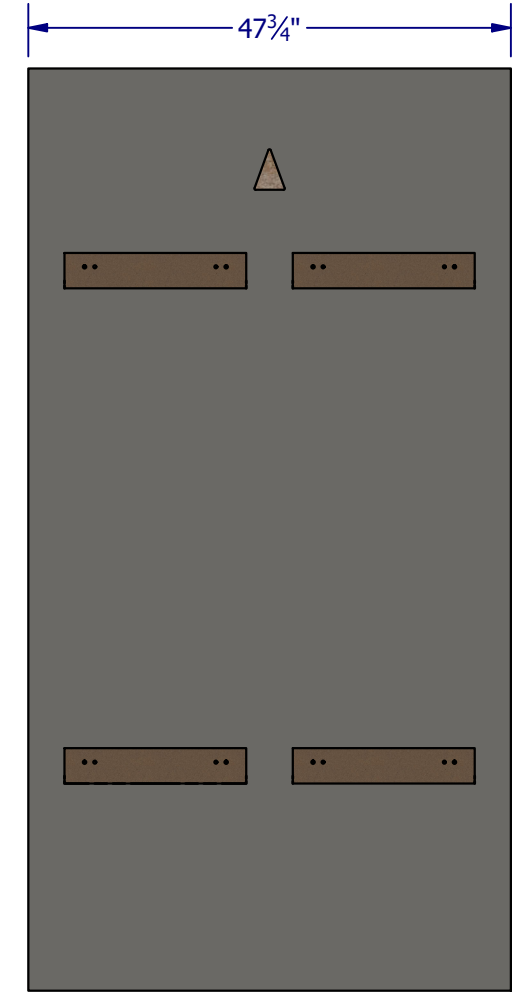
1363
2 Ft Outer Finished Back Panel



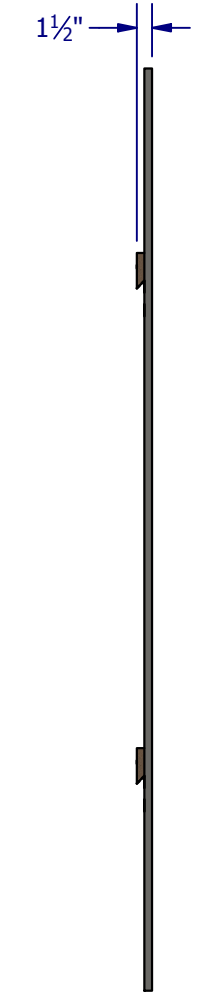
1364
2 Ft Inner Finished Back Panel



1365
4 Ft Outer Finished Back Panel



1365
4 Ft Inner Finished Back Panel



- Hardware Kit:**
- (1) Concrete Wedge Bolt
 - (8) #8 x 1" Flat Head Screw
 - (1) 1434 Wall Bay Free Standing Anchor



585 Western Blvd.
Turtle Lake, WI 54889
InfinityRetailServices.com

Part Name:
Free Standing Finish Back Panels

Part No:
1363 - 1366

Drawn By: Josh Date: 6/20/2024

Sheet:
1 OF 1